



GAS
FIREPLACES



Enviro

HEARTH PRODUCTS



Designed to heat. Built to Last.

For over 30 years, unsurpassed quality and craftsmanship have made us an industry leader in innovative heating systems. Design, functionality, and efficiency merge to create exceptional products that will exceed all expectations. Whether time-honored traditional or bold and modern, our dynamic range of products will compliment any home décor. With a complete line of fireplace inserts, zero-clearance fireplaces, and freestanding stoves, we have the perfect solution for your heating requirements. We won't just meet your expectations; we'll exceed them...





Q1 Fireplace – Black Enameled Steel Liner, High Definition Log Set



Q1 Fireplace – Ceramic Brick Liner, High Definition Log Set



Design Features

- Clean Face Look — No Louvers
- SIT Valve 885 (IPI System with Remote)
- Glass Size: 17½" x 19¾", 345½ in²
- Hand Welded Firebox
- 150 CFM Room Fan (with variable control)
- Limited Lifetime Warranty
- ClearView Safety Screen
- Quick Access Valve Controls

Available Options

- Remote or Thermostat Control
- Burner Options:
 - High Definition Log Set (Included)
- Liner Options:
 - Steel Painted Liner (Included)
 - Ceramic Brick Liner
 - LedgeStone Liner
 - Black Enameled Steel Liner

Fireplace Specifications

BTU Maximum Input - NG	20,000 BTU		
Turn Down	33%		
Heating Area	1,100 ft ²		
P4 Efficiency	74.5%		
Glass Size	17½" x 19¾"		
Fireplace Install Dims.	HEIGHT 35¼"	WIDTH 25¼"	DEPTH 17½"



Q1 Fireplace – Ceramic Brick Liner, High Definition Log Set



High Definition Log Set



Brick Liner



Enamelled Liner with High Definition Log Set



Q2 Fireplace – Slim Face Surround, Black Enameled Steel Liner, and Driftwood Log Set



Q2 Fireplace – Slim Face Surround, Black Enameled Steel Liner and Glass Burner with Diamond Glass

Design Features

- Clean Face Look — No Louvers
- SIT Valve 885 (IPI System with Remote)
- Glass Size: 28.6" x 23.85", 682 in²
- Hand Welded Firebox
- 150 CFM Room Fan (with variable control)
- ClearView Safety Screen
- Limited Lifetime Warranty

Available Options

- Remote or Thermostat Control
- Burner Options:
 - Traditional Log Set
 - Driftwood Log Set
 - Glass Burner with Diamond Glass
- Liner Options:
 - Painted Black Firebox - *Included*
 - Ceramic Brick Liner
 - Herringbone Liner
 - Black Enameled Steel Liner
- Surround Options:
 - Slim Face - *Included*
 - Forgeworks Face

Fireplace Specifications

BTU Maximum Input - NG	24,000 BTU		
Turn Down	33%		
Heating Area	1,400 ft ²		
P4 Efficiency	69.3%		
Glass Size	28.6" x 23.85"		
Fireplace Install Dims.	HEIGHT	WIDTH	DEPTH
	40"	34 ⁷ / ₈ "	15 ⁷ / ₈ "



Q2 Fireplace – Slim Face Surround, Herringbone Liner, and Traditional Log Set



Traditional Log Set



Glass Burner with Diamond Glass



Driftwood Log Set



Q3 Fireplace – Forgeworks Surround, Ceramic Brick Liner, and Traditional Log Set



Q3 Fireplace – Black Enameled Steel Liner, and Traditional Log Set



Design Features

- Clean Face Look — No Louvers
- SIT Valve 885 (IPI System with Remote)
- Glass Size: 28" x 30", 840 in²
- Hand Welded Firebox
- High Efficiency Heat Exchanger
- 150 CFM Room Fan (with variable control)
- Fixed Top Vent / Adjustable Rear Vent
- ClearView Safety Screen
- Limited Lifetime Warranty
- Remote or Thermostat Control

Available Options

- Burner Options:
 - Traditional Log Set (Included)
- Liner Options:
 - Ceramic Brick Liner
 - LedgeStone Liner
 - Black Enameled Steel Liner
- Surround Options:
 - Slim Face - *Included*
 - Forgeworks Face

Fireplace Specifications

BTU Maximum Input - NG	38,000 BTU		
Turn Down	33%		
Heating Area	2,000 ft ²		
P4 Efficiency	67.3%		
Glass Size	28" x 30"		
Fireplace Install Dims.	HEIGHT 43½"	WIDTH 34⅝"	DEPTH 18"



Q3 Fireplace - Brick Liner and Traditional Log Set



Traditional Log Set



Cast Iron Grate



High Efficiency Heat Exchanger





G39 Gas Fireplace – Powder Coated Grey Surround, Rustic Brown Ceramic Brick Liner, and Traditional Log Set



G39 Gas Fireplace – Powder Coated Grey Surround, Black Enamel Steel Liner, and Birch Log Set



G39 Gas Fireplace – Powder Coated Silver Surround, Black Enameled Steel Liner, and Glass Burner

Design Features

- Top Firebox Lighting
- Adjustable Ember Bed Lighting
- Clean Face Look — No Louvers
- Glass Size: 26¼" x 32½", 853¼ in²
- E-Coated Glass (Optional Ceramic Glass)
- Cool Surface System HDK Included
- 130 CFM Room Fan (with variable control)
- ClearView Safety Screen
- Limited Lifetime Warranty



Available Options

- Burner Options:
 - Traditional Log Set
 - Birch Log Set
 - Driftwood Log Set
 - Glass Burner with Diamond Glass
- Liner Options:
 - Ceramic Brick Liner (Brown or Black)
 - Herringbone Liner
 - Ledgestone Liner
 - Black Enameled Steel Liner
 - Painted Steel Liner (Included)
- Surround Options:
 - Slim Face in Painted Black (incl.), Powder Coated Grey, Powder Coated Silver, Powder Coated Bronze
 - Forgeworks Face

Fireplace Specifications

BTU Maximum Input - NG	30,000 BTU						
Turn Down	33%						
Heating Area	1,600 ft ²						
P4 Efficiency	69.8%						
Viewing Area	34½"h x 39"w						
Glass Size	26½"h x 32½"w						
Fireplace Install Dims.	<table border="1"> <thead> <tr> <th>HEIGHT</th> <th>WIDTH</th> <th>DEPTH</th> </tr> </thead> <tbody> <tr> <td>42"</td> <td>41½"</td> <td>18¼"</td> </tr> </tbody> </table>	HEIGHT	WIDTH	DEPTH	42"	41½"	18¼"
HEIGHT	WIDTH	DEPTH					
42"	41½"	18¼"					



G39 Gas Fireplace – Powder Coated Grey Surround, LedgeStone Liner, and Traditional Log Set



Traditional Log Set



Birch Log Set



Driftwood Log Set





G42 Gas Fireplace - Forgeworks Surround, Rustic Brown Ceramic Brick Liner, and Birch Log Set



G42 Gas Fireplace – Painted Black Surround, Black Enameled Steel Liner, Traditional Log Set



G42 Gas Fireplace – Powder Coated Silver Surround, Black Enameled Steel Liner, and Driftwood Log Set



Design Features

- Top Firebox Lighting
- Adjustable Ember Bed Lighting
- Clean Face Look — No Louvers
- IPI Valve
- Glass Size: 29 $\frac{3}{8}$ " x 36 $\frac{1}{2}$ ", 1072 in²
- Ceramic Glass
- Cool Surface System HDK Included
- ClearView Safety Screen
- 130 CFM Room Fan (with variable control)
- Limited Lifetime Warranty

Available Options

- **Burner Options:**
 - Traditional Log Set
 - Birch Log Set
 - Driftwood Log Set
 - Glass Burner with Diamond Glass
- **Liner Options:**
 - Ceramic Brick Liner (Brown or Black)
 - Herringbone Liner
 - Ledgestone Liner
 - Black Enameled Steel Liner
 - Painted Steel Liner (Included)
- **Surround Options:**
 - Slim Face in Painted Black (incl.), Powder Coated Grey, Powder Coated Silver, Powder Coated Bronze
 - Forgeworks Face

Fireplace Specifications

BTU Maximum Input - NG	40,000 BTU		
Turn Down	33%		
Heating Area	2,000 ft ²		
P4 Efficiency	69.6%		
Viewing Area	37 $\frac{1}{4}$ "h x 42"w		
Glass Size	29 $\frac{3}{8}$ "h x 36 $\frac{1}{2}$ "w		
Fireplace Install Dims.	HEIGHT 50"	WIDTH 48 $\frac{3}{4}$ "	DEPTH 23 $\frac{1}{4}$ "



Learn more at
enviro.com/bluiq



G42 Gas Fireplace – Painted Black Surround, Herringbone Liner, and Traditional Log Set



Top Firebox Lighting



Diamond Glass Burner



Traditional Log Set





G50 Gas Fireplace – Powder Coated Grey Surround, Herringbone Liner, and Traditional Log Set



G50 Gas Fireplace – Painted Black Surround, Ceramic Brick Liner, and Traditional Log Set



G50 Gas Fireplace – Powder Coated Silver Surround, Black Enameled Steel Liner, and Driftwood Log Set



Design Features

- Top Firebox Lighting
- Adjustable Ember Bed Lighting
- Clean Face Look — No Louvers
- IPI Valve
- Glass Size: 30½" x 43½", 1326¾ in²
- Two Stage Burner
- Cool Surface System HDK Included
- ClearView Safety Screen
- Run-Quiet Fan System
- Limited Lifetime Warranty



Available Options

- Burner Options:
 - Traditional Log Set
 - Birch Log Set
 - Driftwood Log Set
 - Glass Burner with Diamond Glass
- Liner Options:
 - Ceramic Brick Liner (Brown or Black)
 - Herringbone Liner
 - LedgeStone Liner
 - Black Enameled Steel Liner
 - Painted Steel Liner (Included)
- Surround Options:
 - Slim Face in Painted Black (incl.), Powder Coated Grey, Powder Coated Silver, Powder Coated Bronze
 - Forgeworks Face

Fireplace Specifications

BTU Maximum Input - NG	48,000 BTU		
Turn Down	67.5%		
Heating Area	2,200 ft ²		
P4 Efficiency	72.8%		
Viewing Area	39¼"h x 50"w		
Glass Size	30½"h x 43½"w		
Fireplace Install Dims.	HEIGHT 50"	WIDTH 55"	DEPTH 23¼"



G50 Gas Fireplace – Powder Coated Grey Surround, Painted Black Ceramic Brick Liner, and Birch Log Set



Adjustable Ember Bed Lighting



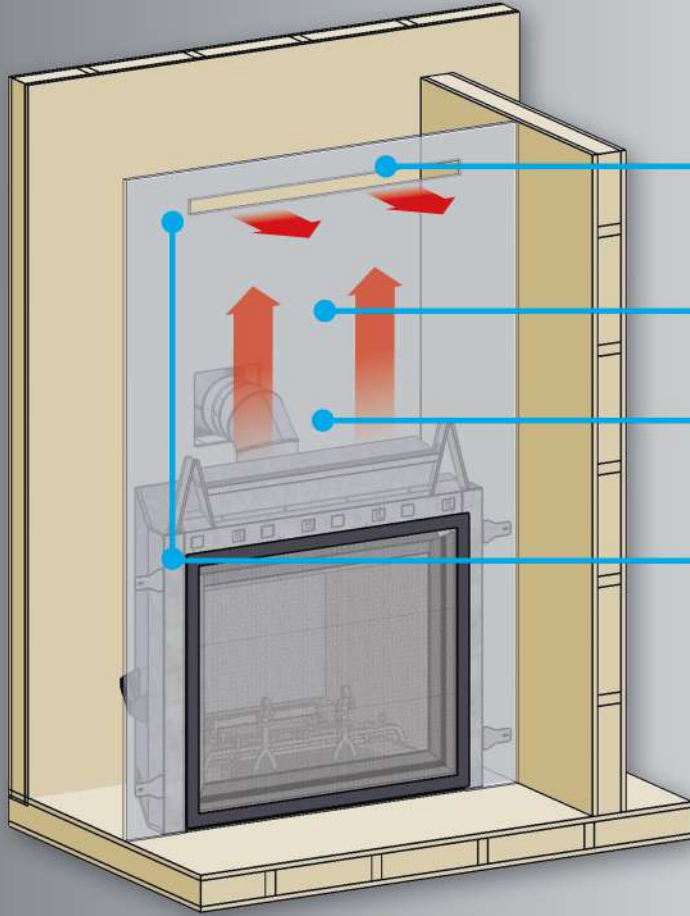
Glass Burner with Diamond Glass



Traditional Log Set

Cool Surface System

INCLUDED WITH THE G SERIES



Convective heat that rises from the fireplace is captured in the chase and channeled through the vent using the Cool Surface System.

The Cool Surface System channels rising heat behind the wall.

Allows up to 1" thick combustible material (ie: drywall) to be used.

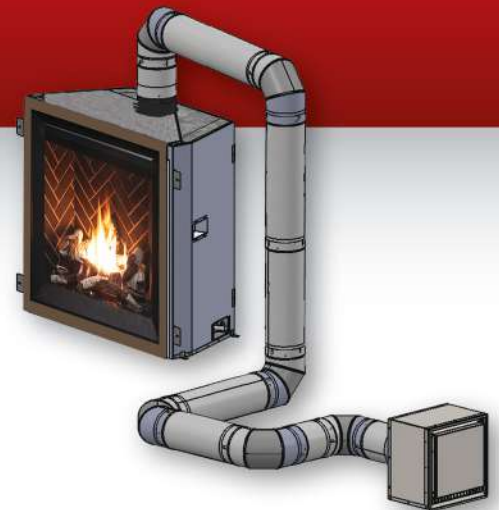
The Cool Surface System and vent bezel are included with every G Series unit.

We understand that surface temperatures are an important factor when considering how a fireplace will affect HDTVs or any framed decorations that might be mounted above. Heat rises naturally and with that in mind, every Enviro G Series Gas Fireplace comes equipped with our exclusive Cool Surface System.

We designed this system to help channel excess rising heat up behind the wall and safely push it through an included vent bezel bypassing any valuables above your G Series fireplace.

Power Vent Kit OPTIONAL FOR THE G SERIES

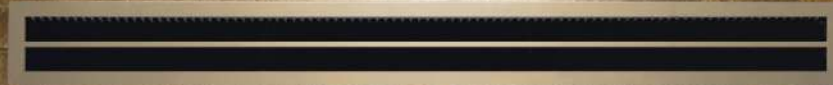
- A minimum venting run of 10 feet
- A maximum venting run of 110 feet
- Max of 6 elbows in vent configuration
- Venting can run downward 4' below the unit
- Flush mount (paintable) termination
- All stoves EXCEPT the G39 require part #50-2321 (Or you can order part #58DVA-X46 directly from DuraVent) vent reducer (5 x 8" vent reduced to 4 x 6 5/8" vent)
- Utilizes smaller 4 x 6 5/8" venting
- Run Quiet Fan System (noise reduction)



Rising heat is evenly vented forward into the living space through the included bezel

Rising heat is channeled safely past valuable wall mounted items such as a TV

Heat radiates forward from the fireplace window



G Series Surrounds



SLIM SURROUND (G42 pictured with a Painted Black Finish)

Available for the G39, G42, and G50



Painted Black



Powder Coated Grey



Powder Coated Silver



Powder Coated Bronze



FORGEWORKS SURROUND (G42 pictured)

Available for the G39, G42, and G50



Midnight Bronze

G Series Design Elements

G SERIES FIREBOX LINERS



CERAMIC BRICK LINER

Available for the G39, G42, and G50



HERRINGBONE LINER

Available for the G39, G42, and G50



LEDGESTONE LINER

Available for the G39, G42, and G50



BLACK ENAMELED STEEL LINER

Available for the G39, G42, and G50



PAINTED STEEL LINER

Included with the G39, G42, and G50

G SERIES BURNER STYLES



GLASS BURNER WITH DIAMOND GLASS

Available for the G39, G42, and G50



DRIFTWOOD LOG SET

Available for the G39, G42, and G50



TRADITIONAL LOG SET

Available for the G39, G42, and G50



BIRCH LOG SET

Available for the G39, G42, and G50

Q Series Surrounds

Q1 GAS FIREPLACE SURROUNDS



MODERN SURROUND



MINIMAL SURROUND



4-SIDED MINIMAL SURROUND

Q2 GAS FIREPLACE SURROUNDS



SLIM FACE
Included



FORGEWORKS FACE
Midnight Bronze

Q3 GAS FIREPLACE SURROUNDS



SLIM FACE
Included



FORGEWORKS FACE
Midnight Bronze

Q Series Design Elements

Q SERIES FIREBOX LINERS



CERAMIC BRICK LINER

Ceramic Brick available for the Q1, Q2, and Q3



HERRINGBONE LINER

Available for the Q2



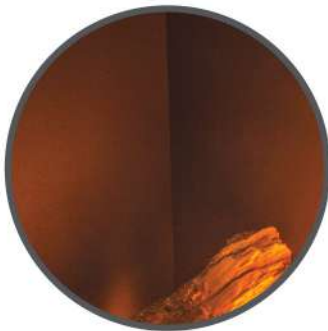
LEDGESTONE LINER

Available for the Q1, & Q3



BLACK ENAMELED STEEL LINER

Available for the Q1, Q2, & Q3



PAINTED STEEL LINER

Included with the Q1

Q SERIES BURNER STYLES



GLASS BURNER W/DIAMOND GLASS

Available for the Q2



CLASSIC LOG SET

Included with the Q1



TRADITIONAL LOG SET

Available for the Q2 & Q3



DRIFTWOOD LOG SET

Available for the Q2

Q Series Options

Firebox Liners

	Q1 GAS FIREPLACE	Q2 GAS FIREPLACE	Q3 GAS FIREPLACE
Ceramic Brick Liner	Optional	Optional	Optional
Black Enameled Steel Liner	Optional	Optional, inc. w/Q2G	Optional
Ledgestone Liner	Optional		Optional
Herringbone Liner		Optional	
Painted Steel Liner	Included		

Fireplace Surrounds

	Q1 GAS FIREPLACE		Q2 GAS FIREPLACE		Q3 GAS FIREPLACE	
	HEIGHT	WIDTH	HEIGHT	WIDTH	HEIGHT	WIDTH
Minimal Surround*	26 ³ / ₈ "	22 ³ / ₄ "				
Minimal Surround Four-Sided	27 ¹ / ₂ "	24 ¹ / ₄ "				
Modern Surround*	30"	30"				
Slim Face			28 ⁷ / ₈ "	32 ³ / ₄ "	32"	32 ³ / ₄ "
Forgeworks Face			29 ¹ / ₄ "	33 ⁷ / ₈ "	32 ⁷ / ₈ "	35 ⁷ / ₈ "

* In Combination with the Q2, these surrounds are compatible with the Glass Burner or Driftwood Log Set

Burner Variations

	Q1 GAS FIREPLACE	Q2 GAS FIREPLACE	Q3 GAS FIREPLACE
Classic Log Set	Included		
Traditional Log Set		Included	Included
Driftwood Log Set		Optional	
Glass Burner with Diamond Glass		Top vent only	

Additional Options

	Q1 GAS FIREPLACE	Q2 GAS FIREPLACE	Q3 GAS FIREPLACE
150 CFM Run Quiet Fan System	Included	Included	Included
Programmable Thermostat	Optional	Optional	Optional
Proflame Remote Control	Included	Included	Included

G Series Options

Firebox Liners

	G39 GAS FIREPLACE	G42 GAS FIREPLACE	G50 GAS FIREPLACE
Ceramic Brick Liner	Optional	Optional	Optional
Herringbone Liner	Optional	Optional	Optional
Black Enameled Steel Liner	Optional	Optional	Optional
Ledgestone Liner	Optional	Optional	Optional
Painted Steel Liner	Included	Included	Included

Fireplace Surrounds

	G39 GAS FIREPLACE		G42 GAS FIREPLACE		G50 GAS FIREPLACE	
	HEIGHT	WIDTH	HEIGHT	WIDTH	HEIGHT	WIDTH
Slim Face Surround	33¾"	39"	37"	42½"	39"	50½"
Forgeworks Surround	33¾"	39"	37"	42½"	39"	50½"

Burner Variations

	G39 GAS FIREPLACE	G42 GAS FIREPLACE	G50 GAS FIREPLACE
Traditional Log Set	Optional	Optional	Optional
Birch Log Set	Optional	Optional	Optional
Driftwood Log Set	Optional	Optional	Optional
Glass Burner with Diamond Glass	Optional	Optional	Optional

Additional Accents

	G39 GAS FIREPLACE	G42 GAS FIREPLACE	G50 GAS FIREPLACE
Cool Surface System (HDK)	Built-in	Built-in	Built-in
Power Vent Kit	Optional	Optional	Optional
Ceramic Glass	Optional	Included	Included
Top Firebox Lighting (Log IPI Only)	Included w/IPI	Included w/IPI	Included w/IPI
Adjustable Ember Bed Lighting (Log IPI Only)	Included w/IPI	Included w/IPI	Included w/IPI
Programmable Thermostat	Included	Included	Included
Proflame Remote Control	Included	Included	Included

Q Series Specifications

Performance

	Q1 GAS FIREPLACE	Q2 GAS FIREPLACE	Q3 GAS FIREPLACE
BTU Maximum input - NG / LP	20,000 / 13,400	24,000 / 20,000	38,000 / 38,000
Turn Down* - Valve 885	33%	33%	33%
Heat Exchanger	✓	✓	✓
SIT Valve 885 (IPI)	Available	Available	Available
Efficiency - Steady State**	76.1%	70.7%	71.6%
Efficiency - FE rating (P4)†	74.5%	69.3%	67.3%
Glass Size	17½" x 19¾", 345½ in ²	28.6" x 23.85", 682 in ²	28" x 30", 840 in ²
150 CFM Run-Quiet Fan System	✓	✓	✓

Installation

	Q1 GAS FIREPLACE			Q2 GAS FIREPLACE			Q3 GAS FIREPLACE		
Fireplace Dimensions w/Screen (HWD)	HEIGHT	WIDTH	DEPTH	HEIGHT	WIDTH	DEPTH	HEIGHT	WIDTH	DEPTH
Fireplace Dimensions w/Screen (HWD)	35¼"	25¼"	17½"	40"	34⅝"	15⅞"	43½"	34⅝"	18"
Venting Collar Size	4" x 6⅝"			4" x 6⅝"			4" x 6⅝"		
Venting Orientation	Top / Rear			Top / Rear			Top / Rear		
LP Conversion Kit (Standing Pilot)	Standard			Standard			Standard		
Weight (lbs)	110 lbs			155 lbs			192 lbs		

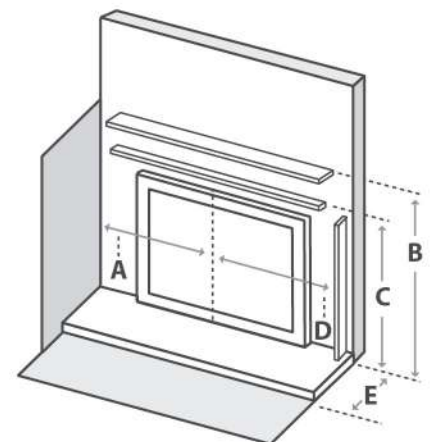
Clearance to Combustibles

	Q1	Q2	Q3
A - center of unit to side wall	16½"	21⅞"	26¼"
B - bottom of unit to bottom of 12" mantle	41"	49"	46½"
C - unit bottom to max. ¾" combustible facing	35¼"	40"	43½"
D - center of unit to side facing	10"	17½"	17⅝"
E - front of door to edge of floor protection	12"	N/A	N/A

* Turn down based on P4 efficiencies on low.

** Steady state rating based on conventional venting configuration.

† Efficiency based on the P4-15 measured efficiency rating of the IPI models



G Series Specifications

Performance

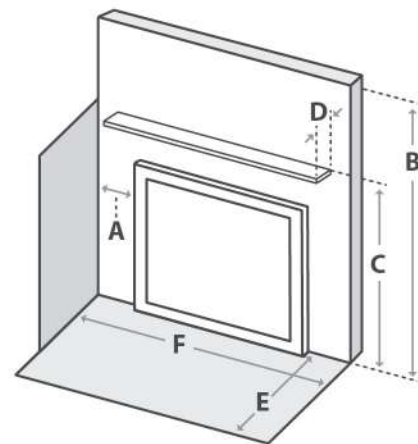
	G39 GAS FIREPLACE	G42 GAS FIREPLACE	G50 GAS FIREPLACE
BTU Maximum input - NG / LP	30,000 / 30,000	40,000 / 40,000	48,000 / 48,000
Turn Down* - Valve 885	33%	33%	67.5% w/Split flow
Heat Exchanger	✓	✓	✓
SIT Valve 885 (IPI)	Standard	Standard	Standard
Split Flow Burner	N/A	N/A	Standard
Efficiency - Steady State**	71.37%	72.1%	75.7%
Efficiency - FE rating (P4) [†]	69.8%	69.6%	72.8%
Glass Size	26¼" x 32½", 853¼ in ²	29⅜" x 36½", 1072 in ²	30½" x 43½", 1326¾ in ²
Run-Quiet Fan System	130 CFM	130 CFM	130 CFM

Installation

	G39 GAS FIREPLACE			G42 GAS FIREPLACE			G50 GAS FIREPLACE		
Fireplace Dimensions w/Screen (HWD)	HEIGHT 42"	WIDTH 41 ½"	DEPTH 18 ¼"	HEIGHT 50"	WIDTH 48 ¾"	DEPTH 23 ¼"	HEIGHT 50"	WIDTH 55"	DEPTH 23 ¼"
Venting Collar Size	4/7" Flex & 6 ⅝" Rigid			5/8" Flex & Rigid			5/8" Flex & Rigid		
Venting Orientation	Top			Top			Top		
LP Conversion Kit	Optional			Optional			Optional		
Weight (lbs)	192 lbs			250 lbs			280 lbs		

Clearance to Combustibles

	G39	G42	G50
A - Side of unit to side wall	7"	7"	7"
B - Minimum clearance to ceiling	72"	78"	78"
C - Minimum clearance to mantle height	45"	45¼"	48"
D - Minimum clearance to mantle depth	4"	4"	4"
E - Front of door to edge of floor protection	0"	0"	0"
F - Minimum clearance to alcove width	52"	57"	63½"



The best way to visualize
your dream fireplace at home
is with the Enviro App!



Manufactured by Sherwood Industries Ltd • Victoria, BC, Canada
enviro.com • info@enviro.com • Printed in Canada, May 2021

 Please share and
recycle this brochure