



TIMELESS NORWEGIAN CRAFT

*...built in Maine*

GAS  
PRODUCTS



## CONTENTS

|                                 |         |
|---------------------------------|---------|
| JØTUL GF 200 DV LILLEHAMMER     | page 8  |
| JØTUL GF 300 DV/BV ALLAGASH     | page 10 |
| JØTUL GF 300 DV IPI ALLAGASH    | page 11 |
| JØTUL GF 400 DV/BV SEBAGO       | page 12 |
| JØTUL GF 400 DV IPI SEBAGO      | page 13 |
| JØTUL GF 500 DV PORTLAND        | page 14 |
| JØTUL GF 500 DV IPI PORTLAND    | page 15 |
| JØTUL GF 160 DV IPI             | page 16 |
| JØTUL GF 305 DV IPI             | page 18 |
| JØTUL GF 370 DV II IPI          | page 20 |
| JØTUL GI 450 DV II IPI KATAHDIN | page 22 |
| JØTUL GI 545 DV WINTER HARBOR   | page 24 |
| JØTUL GI 645 DV ASTRID          | page 24 |
| JØTUL GI 535 DV IPI NEW HARBOR  | page 32 |
| JØTUL GI 635 DV IPI NEWCASTLE   | page 32 |
| HEATING CAPACITY BY ZONE        | page 40 |
| TECHNICAL SPECIFICATIONS        | page 41 |

Jøtul has a policy of constant improvement and upgrading. Products therefore may differ in specification, design, material or dimensions at any time without prior notice. Some settings of the photographs are for aesthetic purpose only and may not comply with installation requirements.





# 🇳🇴 TIMELESS NORWEGIAN CRAFT

*...built in Maine*

Jøtul's cast iron stoves and fireplaces have been crafted in Norway since 1853. For more than 160 years Jøtul has worked at mastering the art of fighting the cold.

In 2015 Jøtul expanded its operation in Maine to include production for the North American market. This is the background for our current position as market leader and the preferred choice for customers who want the best all over the world.



## CAST IRON – PREFERRED BY GENERATIONS

The choice to produce our products from cast iron is exclusively based on the material's extreme high quality and durability. When operated properly gas stoves from Jøtul do not deform, the doors stay in place, and hinges and closing mechanisms remain reliable even after long-term use. In addition, spare parts extend the longevity of a Jøtul product further.

## PURE HEAT FROM NORWAY

Norway is known around the world for their focus towards sustainability and the environment and we have the strictest demands regarding emissions in the world. This is why Jøtul strives to maximize fuel utilization and optimize the heating effect from all their products. This is good news for your wallet and the environment.



## AWARD-WINNING TIMELESS DESIGN

Jøtul products represent functional, modern design. They are innovative, yet stand the test of time beyond short-term trends. At Jøtul, we are convinced that form should follow function, and that good design is more than meets the eye. Several of our products have been recognized with design awards.











**JØTUL GF 500 DV IPI PORTLAND**

# MODERN CLASSIC DESIGN

A descendent of our signature best-selling Jøtul F 500 Oslo wood stove, the Jøtul GF 500 DV IPI Portland offers the same whole house heating capabilities at the push of a button.







**JØTUL GF 370 DV II IPI**

# MODERN DESIGN

Based on the award winning Jøtul F 370 wood stove, the Jøtul GF 370 DV II IPI offers the same contemporary cast iron styling in a freestanding direct vent stove.





# JØTUL GF 200 DV II LILLEHAMMER

Designed in collaboration with world-renowned designers and our well-regarded in-house engineers, the Jøtul GF 200 DV II Lillehammer brings into your home a touch of Scandinavian charm and warmth reminiscent of the 1994 Winter Olympics in Lillehammer, Norway.



HEATING CAPACITY BETWEEN: 100 - 800 sqft (see heating zones pg 40)  
MIN/MAX HEAT INPUT: 11,400-20,000 (NG)  
8,450-18,000 (LP)  
VENTING: Direct vent (4" x 6 5/8")  
WEIGHT APPROX: 185 lbs.  
DIMENSIONS (HXWXD): 25" x 22 3/4" x 17 1/4"

ACCESSORIES: Long leg kit, brick panel kit, wall thermostat, remote control, floor bracket kit, and blower fan kit



BP BRM

“CONVENIENT WARMTH WITH A  
PUSH OF A BUTTON”











## JØTUL GF 300 DV/BV ALLAGASH

As rugged as the wilderness waterway that bears its name, world-renowned designers and our team of in-house engineers made sure that our Jøtul GF 300 Allagash presents the perfect union of high efficiency and cast iron beauty.

HEATING CAPACITY BETWEEN: 400 - 1300 sqft (see heating zones pg 40)

MIN/MAX HEAT

INPUT (DV): 14,000-26,000 (NG)  
14,000-26,000 (LP)

MIN/MAX HEAT

INPUT (BV): 15,000-26,000 (NG)  
13,500-26,000 (LP)

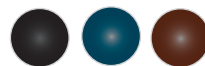
VENTING: Direct vent (4" x 6 5/8") B vent (4")

WEIGHT APPROX: 200 lbs.

DIMENSIONS (HXWXD): 28" x 22 3/4" x 17 1/2" (DV)

DIMENSIONS (HXWXD): 27 3/4" x 22 1/2" x 18 3/4" (BV)

ACCESSORIES: Short leg kit, brick panel kit, wall thermostat, remote control, floor bracket kit, blower fan kit, top filler kit (BV only)



BP BBE BRM





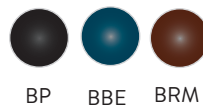


## JØTUL GF 300 DV IPI ALLAGASH

The Jøtul GF 300 DV IPI Allagash combines modern classic cast iron design with state of the art combustion technology. Fueled by the new JøtulBurner™, the Jøtul GF 300 presents the perfect union of high efficiency and timeless design.

HEATING CAPACITY BETWEEN: 400 - 1300 sqft (see heating zones pg 40)  
 MIN/MAX HEAT INPUT: 15,000-26,000 (NG)  
 12,000-24,000 (LP)  
 VENTING: Direct vent (4" x 6 5/8")  
 WEIGHT APPROX: 200 lbs.  
 DIMENSIONS (HXWXD): 28" x 22 3/4" x 17 1/2"

ACCESSORIES: Multifunction Proflame 2 remote, flame modulation kit, wall thermostat, top firing accent light, blower fan kit, reversible brick panel kit, and short leg kit







## JØTUL GF 400 DV/BV SEBAGO

World-renowned designers, in collaboration with our well-regarded in-house engineers, created this Vesta Design and Technology Award finalist with beauty and high efficiency operation in mind. With a hand crafted log set and double door design, this stove demonstrates why Jøtul is widely recognized as the cast iron leader in quality and craftsmanship.

HEATING CAPACITY BETWEEN (DV): 700 - 2000 sqft (see heating zones pg 40)  
 MIN/MAX HEAT INPUT BETWEEN (DV): 18,000-32,000 (NG)  
 16,000-32,000 (LP)

HEATING CAPACITY BETWEEN (BV): 800 - 2200 sqft (see heating zones pg 40)  
 MIN/MAX HEAT INPUT (BV): 22,000-40,000 (NG)  
 20,000-40,000 (LP)

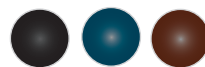
VENTING: Direct vent (4" x 6 5/8") B vent (4")

WEIGHT APPROX: 250 lbs.

DIMENSIONS (HXWXD): 28 1/2" x 26 1/2" x 20 1/2" (DV)

DIMENSIONS (HXWXD): 28 1/2" x 26 1/2" x 24" (BV)

ACCESSORIES: Brick panel kit, wall thermostat, remote control, floor bracket kit, blower fan kit, and short leg kit



BP BBE BRM





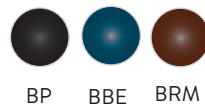


## JØTUL GF 400 DV IPI SEBAGO

Beauty and efficient operation come alive together with the Jøtul GF 400 DV IPI Sebago. Handsomely detailed in cast iron, this stove's nautical styling recalls the coves and shores of Lake Sebago, locked amid the rock and pines of Maine.

HEATING CAPACITY BETWEEN: 700 - 2000 sqft (see heating zones pg 40)  
 MIN/MAX HEAT INPUT: 17,000-32,000 (NG)  
 14,000-30,000 (LP)  
 VENTING: Direct vent (4" x 6 5/8")  
 WEIGHT APPROX: 260 lbs.  
 DIMENSIONS (HXWXD): 28 1/2" x 26 1/2" x 20 1/2"

ACCESSORIES: Multifunction Proflame 2 remote, flame modulation kit, wall thermostat, top firing accent light, blower fan kit, reversible brick panel kit, and short leg kit







## JØTUL GF 500 DV PORTLAND

A descendent of our signature best-selling Jøtul F 500 Oslo wood stove, the Jøtul GF 500 DV Portland offers the same whole house heating capabilities at the push of a button. Fueled by the new dual JøtulBurner™ IV, the Jøtul GF 500 presents the perfect union of high efficiency and timeless cast iron design.

HEATING CAPACITY BETWEEN: 800 - 2200 sqft (see heating zones pg 40)  
 MIN/MAX HEAT INPUT: 12,800-40,000 (NG)  
 14,000-39,500 (LP)  
 VENTING: Direct vent (4" x 6 5/8")  
 WEIGHT APPROX: 335 lbs.  
 DIMENSIONS (HXWXD): 30" x 28 1/2" x 23"

ACCESSORIES: Reversible brick panel kit, remote control, wall thermostat, floor bracket kit, blower fan kit, and short leg kit



BP BRM







## JØTUL GF 500 DV IPI PORTLAND

A descendent of our signature best-selling Jøtul F 500 Oslo wood stove, the Jøtul GF 500 DV IPI Portland offers the same whole house heating capabilities at the push of a button. Fueled by the new dual JøtulBurner™ IV, the Jøtul GF 500 presents the perfect union of high efficiency and timeless cast iron design.

HEATING CAPACITY BETWEEN: 800 - 2200 sqft (see heating zones pg 40)  
 MIN/MAX HEAT INPUT: 12,800-40,000 (NG)  
 14,000-39,500 (LP)  
 VENTING: Direct vent (4" x 6 5/8")  
 WEIGHT APPROX: 335 lbs.  
 DIMENSIONS (HXWXD): 30" x 28 1/2" x 23"

ACCESSORIES: Multifunction Proflame 2 remote, reversable brick panel kit, top firing accent light, flame modulation kit, wall thermostat, floor bracket kit, blower fan kit, and short leg kit



BP BRM





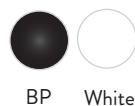


## JØTUL GF 160 DV IPI

Inspired by the immensely popular Jøtul GF 370, the compact Jøtul GF 160 DV IPI offers the same spectacular three-sided fire view, but with a truly unique tripod base. A modern design marvel, the Jøtul GF 160 DV IPI strikes the perfect balance between form and functionality. Standard features include Multifunction Proflame 2 remote with flame control, accent light and blower fan. Choice of required media includes Traditional Logs, Beach Fire Logs, River Rocks, Tumbled Stones, Black Glass, and White Starfire Glass.

HEATING CAPACITY BETWEEN: 200 - 1000 sqft (see heating zones pg 40)  
 MIN/MAX HEAT INPUT: 15,800-24,000 (NG)  
 19,800-24,000 (LP)  
 VENTING: Direct vent (4" x 6 5/8")  
 WEIGHT APPROX: 260 lbs.  
 DIMENSIONS (HXWXD): 35 1/2" x 17 3/4" x 17 3/4"

ACCESSORIES: Skamol or black reflective glass panel kit





# JØTUL GF 160 DV IPI BURNER MEDIA & LINER OPTIONS



Traditional Logs



Beach Fire



River Rocks



Tumbled Stones



White Starfire Glass



Black Glass



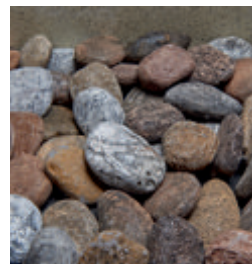
Traditional Logs



Beach Fire



River Rocks



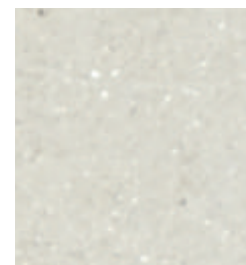
Tumbled Stones



Black Glass



White Starfire Glass



Skamol Panel Kit



Black Reflective  
Glass Panel Kit

Easily transform your Jøtul GF 160 DV into a work of art with our choice of burner media and liner options.

Choose from Traditional Logs, Beach Fire, River Rocks burner media, Tumbled Stones burner media, Black or White Starfire Glass burner media, Skamol Panel Kit or Black Reflective Glass Panel Kit.







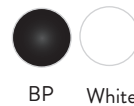
## JØTUL GF 305 DV IPI

The Jøtul Group has earned a worldwide reputation for producing award winning cast iron stoves. Based on the Jøtul F 305 woodstove, the Jøtul GF 305 DV IPI offers the same contemporary cast iron styling in a freestanding direct vent gas stove. Smooth cast iron lines and sleek curves frame an extra-large fire view that only Jøtul can produce. Fueled by the new ceramic JøtulBurner™ III, the Jøtul GF 305 presents the perfect union of high efficiency and modern cast iron design.

Choice of required media includes Traditional Logs, or Beach Fire.

HEATING CAPACITY BETWEEN: 400 - 1300 sqft (see heating zones pg 40)  
 MIN/MAX HEAT INPUT: 18,707-28,000 (NG)  
 22,370-28,000 (LP)  
 VENTING: Direct vent (4" x 6 5/8")  
 WEIGHT APPROX: 257 lbs.  
 DIMENSIONS (HXWXD): 33 3/8" x 22" x 16 1/4"

ACCESSORIES: Black fluted, gray slate, or reflective glass panel kit, multifunction Proflame 2 remote, flame modulation control kit, top firing accent light kit, and blower kit







## JØTUL GF 305 DV IPI BURNER MEDIA & LINER OPTIONS



Beach Fire  
Burner Media



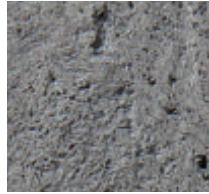
Traditional Logs  
Burner Media



Black Reflective  
Glass Panel Kit



Black Fluted  
Panel Kit



Gray Slate  
Panel Kit

Easily transform your Jøtul GF 305 DV IPI into a work of art with our choice of media and liner options. Choose from Traditional Log burner media, Beach Fire burner media, Black Reflective Glass Panel Kit, Black Fluted Panel Kit or Gray Slate Panel Kit.







## JØTUL GF 370 DV II IPI

With its modern design and elegant three-sided fire view, the Jøtul GF 370 DV II IPI utilizes the new JøtulBurner™ III to create an exceptional fire view from any angle. Standard features include Multifunction Proflame 2 remote with flame control, accent light, blower fan and skamol firebox liner.

Choice of required media includes Traditional Logs, Beach Fire, River Rocks, Tumbled Stones, Black Glass, and White Starfire Glass

HEATING CAPACITY BETWEEN: 400 - 1300 sqft (see heating zones pg 40)

MIN/MAX HEAT INPUT: 18,170-28,000 (NG)

20,750-24,000 (LP)

VENTING: Direct vent (4" x 6 5/8")

WEIGHT APPROX: 310 lbs.

DIMENSIONS (HXWXD): 45 1/2" x 18 1/4" x 18 3/4"

ACCESSORIES: Black reflective glass panel kit



BP White



# JØTUL GF 370 DV II IPI BURNER MEDIA & LINER OPTIONS



Traditional Logs



Beach Fire



Tumbled Stones



River Rock



Black Glass



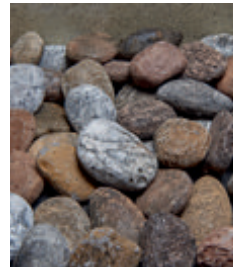
White Starfire Glass



Traditional Logs



Beach Fire



Tumbled Stones



River Rocks



White Starfire Glass



Black Glass



Black Reflective  
Glass Panel Kit

Easily transform your Jøtul GF 370 DV II into a work of art with our choice of burner media and panel kit options. Choose from Traditional Logs, Beach Fire, River Rocks, Tumbled Stones, Black or White Starfire Glass media, or Black Reflective Glass Panel Kit.





# JØTUL GI 450 DV II IPI KATAHDIN

Our classic cast iron design with furnace rated direct vent heating performance make the Jøtul GI 450 DV II IPI Katahdin simple to install and easy to use. Featuring IPI electronic ignition, battery backup, blower fan, and top firing accent lights, the GI 450 DV II IPI Katahdin is the perfect combination of technology and timeless cast iron design.

HEATING CAPACITY BETWEEN: 700 - 2000 sqft (see heating zones pg 40)  
 MIN/MAX HEAT INPUT: 23,750-33,000 (NG)  
 21,000-33,000 (LP)  
 VENTING: Direct vent co-linear 3" x 3"  
 GLASS VIEWING AREA: 29 1/4" x 13 1/4"  
 WEIGHT APPROX: 140 lbs.

ACCESSORIES: Wall thermostat, remote control, two brick panel kits, steel wide surround kit (for use with cast iron surround)

## Cast iron surround

40" W x 28" H

40" W x 30" H w/Plinth

## Optional steel wide surround (for use with cast iron)

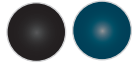
47 3/4" W x 34" H

## Simple steel surround

40" W x 30" H

## Trimable surround

40" W x 30" H



BP BBE



Jøtul GI 450 DV II IPI Katahdin classic cast iron surround (40"W x 30"H)



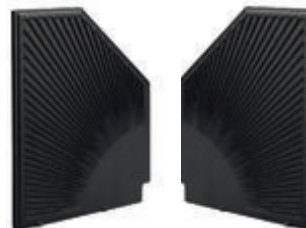
Jøtul GI 450 DV II IPI Katahdin simple steel surround (40"W x 30"H)



Chimney Red Brick Panel Kit



Boston Buff Beige Brick Panel Kit



Standard Decorative Cast Iron Panel Kit







# JØTUL GI 545 DV WINTER HARBOR

With its contemporary styling and nod to tradition, the Jøtul GI 545 DV Winter Harbor is well suited to fit any interior. Featuring reliable millivolt gas controls, a choice of two firebox options (standard blower or optional blower), multiple burner media options, and cast iron or steel overlay choices, this fireplace insert combines Jøtul's connection to old world craftsmanship and modern technology.

HEATING CAPACITY BETWEEN: 600 - 1,800 sqft (see heating zones pg 40)  
MIN/MAX HEAT INPUT: 16,000-30,000 (NG)  
13,500-28,000 (LP)  
VENTING: Direct vent co-linear 3" x 3"  
GLASS VIEWING AREA: 28 5/8" x 14 7/8"  
WEIGHT APPROX: 163 lbs.

ACCESSORIES: Choice of 4 interior panel kits, blower (for blower optional unit), remote, wall thermostat, and mantle heatshield

## Choice of required overlays

Cast iron overlay  
35 7/8" W x 22 5/8" H  
Rectangle steel overlay  
34 3/8" W x 22 5/8" H  
3 - Sided backer frame sizes  
40" W x 26" H  
41" W x 28" H  
42" W x 30" H  
3 - Sided trimable backer frame size  
46" W x 34" H  
4 - Sided trimable backer frame size  
46" W x 34" H

# JØTUL GI 645 DV ASTRID

The new Jøtul GI 645 DV Astrid will turn any existing fireplace into a sophisticated source of heat in the blink of an eye. Featuring reliable millivolt gas controls, standard blower, multiple burner media options, and cast iron or steel overlay choices, this fireplace insert's strong clean lines frame the striking radiance of a fire that mimics the dance and glow of a traditional wood fire.

HEATING CAPACITY BETWEEN: 800 - 2200 sqft (see heating zones pg 40)  
MIN/MAX HEAT INPUT: 38,000-21,000 (NG)  
36,500-20,000 (LP)  
VENTING: Direct vent co-linear 3" x 3"  
GLASS VIEWING AREA: 30 5/8" x 17 1/8"  
WEIGHT APPROX: 175 lbs.

ACCESSORIES: Choice of four interior panel kits, remote, wall thermostat, and mantle heatshield

## Choice of required overlays

Cast iron overlay  
39 7/8" W x 26 5/8" H  
Rectangle steel overlay  
38 3/8" W x 26 1/2" H  
3 - Sided backer frame sizes  
44" W x 30" H  
45" W x 32" H  
46" W x 34" H  
3 - Sided trimable backer frame size  
47 3/4" W x 38" H  
4 - Sided trimable backer frame size  
47 3/4" W x 38" H



# JØTUL GI 545/645 OVERLAY, BURNER MEDIA & LINER OPTIONS



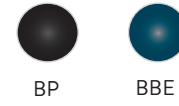
Cast iron overlay with steel backer frame. Shown in Matte Black Paint with Traditional Red Brick Panel Kit



Cast iron overlay with steel backer frame. Shown in Blue Black Enamel with Traditional Red Brick Panel Kit

## Overlay Color Options

Cast Iron



Steel Powder Coat



Rectangle steel overlay with steel backer frame. Shown in Bronze with Traditional Red Brick Panel Kit



Rectangle steel overlay with steel backer frame. Shown in Jøtul Iron with Traditional Red Brick Panel Kit



Rectangle steel overlay with steel backer frame. Shown in Matte Black Paint with Traditional Red Brick Panel Kit



GI 545 Traditional Logs



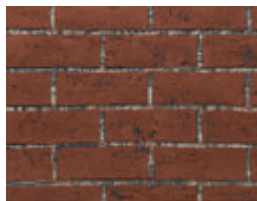
GI 545 Beach Fire



GI 645 Traditional Logs



GI 645 Beach Fire



Traditional Red Brick Panel Kit



Brownstone Brick Panel Kit



Black Reflective Glass Panel Kit



Black Fluted Panel Kit









**JØTUL GI 545 DV WINTER HARBOR**

The Jøtul GI 545 DV Winter Harbor, shown with a Jøtul Iron rectangle steel overlay and backer panel, will accent a variety of decor choices. Shown with Beach Fire log set and optional Black Reflective panel kit.









**JØTUL GI 645 DV ASTRID**

The Jøtul GI 645 DV Astrid, shown with Matte Black cast iron overlay and steel backer panel, will add rich warmth to any decor. Shown with Traditional log set and optional Traditional Red Brick panel kit.





## JØTUL GI 545 DV WINTER HARBOR

The Jøtul GI 545 DV Winter Harbor, shown with Matte Black cast iron overlay and steel backer panel fits both contemporary or modern decor. Shown with Traditional log set and optional Brownstone Brick panel kit.





## **JØTUL GI 645 DV ASTRID**

The Jøtul GI 645 DV Astrid , shown with the Matte Black powder coated rectangular steel front and backer panel, will accent a variety of decor choices. Shown with Beach Fire log set and optional Black Fluted panel kit.



# JØTUL GI 535 DV IPI NEW HARBOR

Inspired by the quaint coastal town of New Harbor, Maine, the Jøtul GI 535 DV IPI New Harbor combines time honored craftsmanship with modern design. Featuring IPI electronic ignition, dual ceramic JøtulBurner™III, battery backup, Multifunction Proflame 2 remote with flame control, blower fan, and top firing accent lights, the Jøtul GI 535 DV IPI New Harbor is the perfect fit for any medium size fireplace.

HEATING CAPACITY BETWEEN: 700 - 2000 sqft (see heating zones pg 40)  
MIN/MAX HEAT INPUT: 11,500-32,000 (NG)  
11,000-31,500 (LP)  
VENTING: Direct vent co-linear 3" x 3"  
GLASS VIEWING AREA: 23 3/4" x 15 1/2"  
WEIGHT APPROX: 156 lbs.

ACCESSORIES: Four interior panel kits

## Choice of required overlays

Cast iron overlay  
30 3/4" W x 21 5/8" H  
Rectangle steel overlay  
30 3/4" W x 21 1/8" H  
Arch steel overlay  
30 3/4" W x 22 5/8" H  
3 - Sided backer frame sizes  
36" W x 24 1/4" H  
38" W x 28" H  
40" W x 30" H  
3 - Sided trimable backer frame size  
46" W x 34" H  
4 - Sided trimable backer frame size  
46" W x 34" H

# JØTUL GI 635 DV IPI NEWCASTLE

The Jøtul GI 635 DV IPI Newcastle gas insert is the perfect blend of modern cast iron and traditional charm. Featuring IPI electronic ignition, dual ceramic JøtulBurner™III, battery backup, Multifunction Proflame 2 remote with flame control, blower fan, and top firing accent lights, the Jøtul GI 635 DV IPI Newcastle will easily turn your hearth into the centerpiece of your home.

HEATING CAPACITY BETWEEN: 800 - 2200 sqft (see heating zones pg 40)  
MIN/MAX HEAT INPUT: 10,000-40,000 (NG)  
8,700-40,000 (LP)  
VENTING: Direct vent co-linear 3" x 3"  
GLASS VIEWING AREA: 27 3/4" x 19 1/2"  
WEIGHT APPROX: 172 lbs.

ACCESSORIES: Four interior panels kits

## Choice of required overlays

Cast iron overlay  
34 3/4" W x 25 5/8" H  
Rectangle steel overlay  
34 3/4" W x 25 1/8" H  
Arch steel overlay  
34 3/4" W x 26 15/16" H  
3 - Sided backer frame sizes  
40" W x 28 1/4" H  
42" W x 31" H  
46" W x 34" H  
3 - Sided trimable backer frame size  
47 3/4" W x 38" H  
4 - Sided trimable backer frame size  
47 3/4" W x 38" H

## GI 535 AND GI 635 BURNER MEDIA OPTIONS



GI 535 Traditional Logs



GI 535 Beach Fire



GI 635 Traditional Logs



GI 635 Beach Fire



# JØTUL GI 535/635 OVERLAY & LINER OPTIONS



Cast iron overlay with steel backer frame. Shown in Majolica Brown Enamel with Traditional Red Brick Panel Kit



Cast iron overlay with steel backer frame. Shown in Matte Black Paint with Brownstone Brick Panel Kit

## Overlay Color Options

Cast Iron



BP

BRM

Steel Powder Coat



BRONZE

JØTUL IRON

MATTE BLACK



Rectangle steel overlay with steel backer frame. Shown in Bronze with Reflective Panel Kit



Rectangle steel overlay with steel backer frame. Shown in Jøtul Iron with Reflective Panel Kit



Rectangle steel overlay with steel backer frame. Shown in Matte Black with Reflective Panel Kit



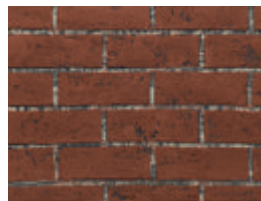
Arch steel overlay with steel backer frame. Shown in Bronze with Brownstone Brick Panel Kit



Arch steel overlay with steel backer frame. Shown in Jøtul Iron with Reflective Panel Kit



Arch steel overlay with steel backer frame. Shown in Matte Black with Traditional Red Brick Panel Kit



Traditional Red Brick Panel Kit



Brownstone Brick Panel Kit



Black Reflective Glass Panel Kit



Black Fluted Panel Kit







**JØTUL GI 535 DV IPI NEW HARBOR**

The Jøtul GI 535 DV IPI New Harbor combines time honored craftsmanship with modern design, creating a warm and welcoming centerpiece for any living space. Shown with Traditional log set, Matte Black Paint cast iron overlay with steel backer, and optional Traditional Red Brick panel kit.





**JØTUL GI 635 DV IPI NEWCASTLE**

The Jøtul GI 635 DV IPI Newcastle is a perfect blend of classic cast iron and modern design. Quickly turn any fireplace into a work of art that will heat your home with a push of a button. Shown with Traditional log set, Majolica Brown Enamel cast iron overlay and optional Black Reflective panel kit.





**JØTUL GI 535 DV IPI NEW HARBOR**

The simple, but elegant, Matte Black powder coated steel arched front and backer panel will transform the Jøtul GI 535 DV IPI New Harbor into a modern focal point of your living area. Shown with Traditional log set, and optional Traditional Red Brick panel kit.





**JØTUL GI 535 DV IPI NEW HARBOR**

Framing the realistic fire of the Jøtul GI 535 DV IPI New Harbor, the Jøtul Iron powder coated steel rectangular front and backer panel will easily blend in with any decor. Shown with Beach Fire log set and optional Black Fluted panel kit.





**JØTUL GI 635 DV IPI NEWCASTLE**

The sleek rectangle of the Bronze powder coated steel front and backer panel for the Jøtul GI 635 DV IPI Newcastle allows for an uninterrupted view of the natural glowing fire. Shown with Traditional log set and optional Black Reflective panel kit.





**JØTUL GI 635 DV IPI NEWCASTLE**

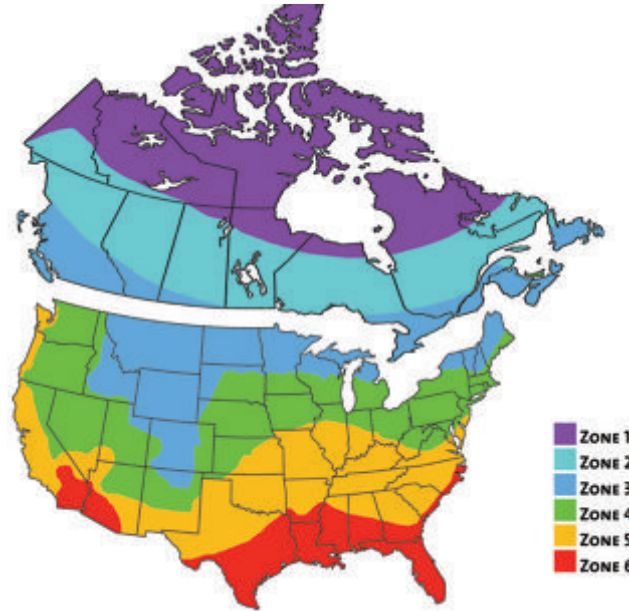
The Jøtul GI 635 DV IPI Newcastle, shown with the Matte Black powder coated arched steel front and backer panel, will accent a variety of decor choices. Shown with Beach Fire log set and optional Black Fluted panel kit.



# HEATING ZONES

## HEATING CAPACITY BY ZONE

### Jøtul Gas Stoves & Inserts US & Canada Heat Capacity by Zone



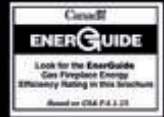
This heating capacity zone chart is to be used as a guideline only. Square footage measurements may differ due to climate, building construction, and location of stove. Heating capacity on the product page is based on Zone 4.

| Model                           | Min/Max Input (BTU/Hr) | Zone 1 (sq. ft.) | Zone 2 (sq. ft.) | Zone 3 (sq. ft.) | Zone 4 (sq. ft.) | Zone 5 (sq. ft.) | Zone 6 (sq. ft.) |
|---------------------------------|------------------------|------------------|------------------|------------------|------------------|------------------|------------------|
| Jøtul GF 200 Lillehammer        | 11 - 20,000            | 100              | 200              | 400              | 600              | 700              | 800              |
| Jøtul GF 300 Allagash           | 14 - 26,000            | 400              | 600              | 800              | 1000             | 1200             | 1300             |
| Jøtul GF 400 DV Sebago          | 18 - 32,000            | 700              | 1000             | 1200             | 1400             | 1600             | 2000             |
| Jøtul GF 400 BV Sebago          | 22 - 40,000            | 800              | 1200             | 1400             | 1600             | 1800             | 2200             |
| Jøtul GF 500 Portland           | 13 - 40,000            | 800              | 1200             | 1400             | 1600             | 1800             | 2200             |
| Jøtul GF 160 DV IPI             | 15 - 24,000            | 200              | 300              | 500              | 800              | 900              | 1000             |
| Jøtul GF 305 DV IPI             | 18 - 28,000            | 400              | 600              | 800              | 1000             | 1200             | 1300             |
| Jøtul GF 370 DV II IPI          | 18 - 28,000            | 400              | 600              | 800              | 1000             | 1200             | 1300             |
| Jøtul GI 450 DV II IPI Katahdin | 24 - 33,000            | 700              | 1000             | 1200             | 1400             | 1600             | 2000             |
| Jøtul GI 535 DV IPI New Harbor  | 11 - 32,000            | 700              | 1000             | 1200             | 1400             | 1600             | 2000             |
| Jøtul GI 635 DV IPI Newcastle   | 10 - 40,000            | 800              | 1200             | 1400             | 1600             | 1800             | 2200             |
| Jøtul GI 545 DV Winter Harbor   | 13 - 30,000            | 600              | 800              | 1000             | 1200             | 1400             | 1800             |
| Jøtul GI 645 DV Astrid          | 20 - 38,000            | 800              | 1000             | 1400             | 1600             | 1800             | 2200             |



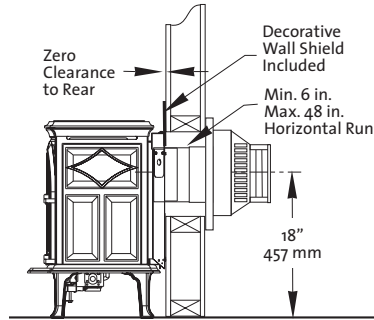
## General note for all stoves and fireplaces

1. Heating Capacity will vary depending on the design of the home, climate, elevation, operation and venting configuration. See Zone chart on page 36.
2. Depth dimension includes ashlip and flue collar.
3. Dimensions can vary depending on installation variables. See manuals for exact specifications.
4. All Jøtul gas stoves and fireplaces include approved fire safety screen
5. Conforms to Amendment 15 of Canada's Energy Efficiency Regulations



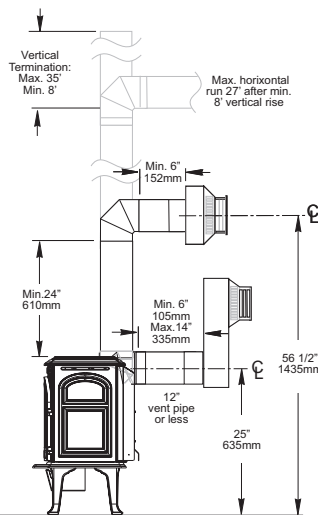
## TECHNICAL DIMENSIONS

JØTUL GF 200 DV II LILLEHAMMER - Page 8



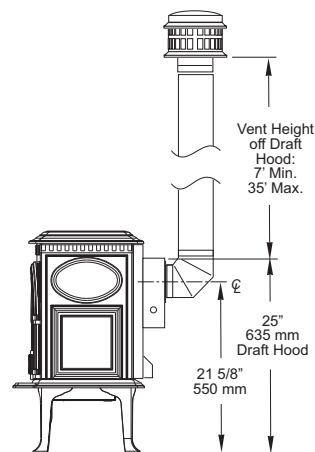
|   |   |
|---|---|
| Heating Capacity <sup>1</sup>             | 100 - 800 sq. ft.                       |
| Min/Max Heat Input (BTU/hr)               | 11,400-20,000 (NG)<br>8,450-18,000 (LP) |
| Efficiency Steady State                   | 75.05%                                  |
| EnerGuide Rating (DV Canada)              | 70.10% (NG) 68.96% (LP)                 |
| EnerGuide Rating <sup>5</sup> (MV Canada) | 73.63% (NG) 72.14% (LP)                 |
| Venting                                   | 4" x 6 5/8"                             |
| Dimensions                                |   |
| Height                                    | 25"                                     |
| Height w/ opt. long legs                  | 26 1/4"                                 |
| Width                                     | 22 3/4"                                 |
| Depth <sup>2</sup>                        | 17 1/4"                                 |
| Clearances                                |   |
| Rear                                      | 0" (zero clearance)                     |
| Side                                      | 3"                                      |
| Corner                                    | 2"                                      |
| 9 1/2" deep mantel                        | 26" (above stove)                       |

JØTUL GF 300 DV ALLAGASH - Page 10



|   |  |
|---|--|
| Heating Capacity <sup>1</sup>             | 400 - 1300 sq.ft.                        |
| Min/Max Heat Input (BTU/hr)               | 14,000-26,000 (NG)<br>14,000-26,000 (LP) |
| Efficiency Steady State                   | 75.30%                                   |
| EnerGuide Rating (DV Canada)              | 63.98% (NG) 63.98% (LP)                  |
| EnerGuide Rating <sup>5</sup> (MV Canada) | 65.75% (NG) 65.75% (LP)                  |
| Venting                                   | 4" x 6 5/8"                              |
| Dimensions                                |  |
| Height                                    | 28"                                      |
| Height w/ opt. short legs                 | 25 3/4"                                  |
| Width                                     | 22 1/2"                                  |
| Depth <sup>2</sup>                        | 17 1/2"                                  |
| Clearances                                |  |
| Rear                                      | 2"                                       |
| Side                                      | 3"                                       |
| Corner                                    | 2"                                       |
| 10" deep mantel                           | 30 3/4" (above)                          |

JØTUL GF 300 BV ALLAGASH - Page 10



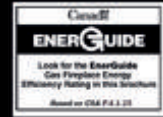
|   |  |
|---|--|
| Heating Capacity <sup>1</sup>             | 400 - 1300 sq.ft.                        |
| Min/Max Heat Input (BTU/hr)               | 15,000-26,000 (NG)<br>13,500-26,000 (LP) |
| Efficiency Steady State                   | 82.31%                                   |
| EnerGuide Rating (Canada)                 | 58.68% (NG) 58.68% (LP)                  |
| EnerGuide Rating <sup>5</sup> (MV Canada) | 61.12% (NG) 61.12% (LP)                  |
| Venting                                   | 4"                                       |
| Dimensions                                |  |
| Height                                    | 27 3/4"                                  |
| Height w/ opt. short legs                 | 25 1/2"                                  |
| Width                                     | 22 1/2"                                  |
| Depth <sup>2</sup>                        | 18 3/4"                                  |
| Clearances                                |  |
| Rear                                      | 2"                                       |
| Side                                      | 3"                                       |
| Corner                                    | 3"                                       |
| 11.5" deep mantel                         | 29"                                      |





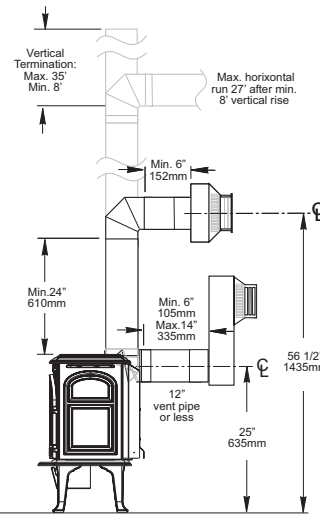
## General note for all stoves and fireplaces

1. Heating Capacity will vary depending on the design of the home, climate, elevation, operation and venting configuration. See Zone chart on page 36.
2. Depth dimension includes ashlip and flue collar.
3. Dimensions can vary depending on installation variables. See manuals for exact specifications.
4. All Jøtul gas stoves and fireplaces include approved fire safety screen.
5. Conforms to Amendment 15 of Canada's Energy Efficiency Regulations



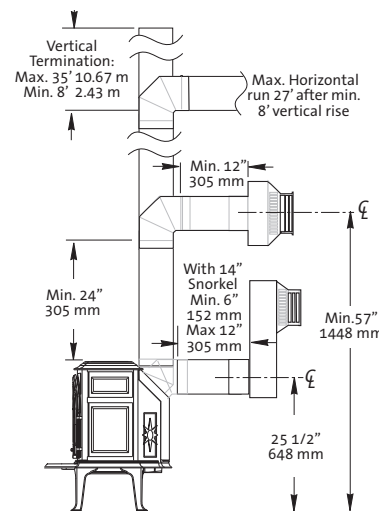
## TECHNICAL DIMENSIONS

JØTUL GF 300 DV IPI ALLAGASH - Page 11



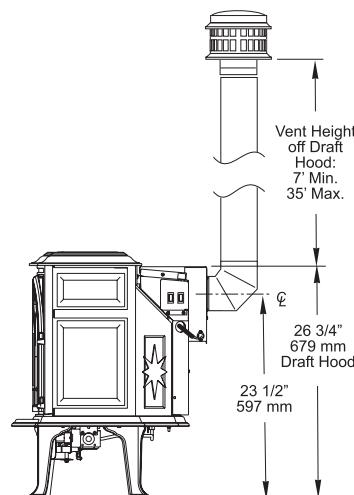
|                               |  |
|-------------------------------|--|
| Heating Capacity <sup>1</sup> | 400 - 1300 sq.ft.                        |
| Min/Max Heat Input (BTU/hr)   | 15,000-26,000 (NG)<br>12,000-24,000 (LP) |
| Efficiency Steady State       | 73.57%                                   |
| EnerGuide Rating (DV Canada)  | 69.23% (NG) 69.99% (LP)                  |
| Venting                       | 4" x 6 5/8"                              |
| Dimensions                    |  |
| Height                        | 28"                                      |
| Height w/ opt. short legs     | 25 3/4"                                  |
| Width                         | 22 1/2"                                  |
| Depth <sup>2</sup>            | 17 1/2"                                  |
| Clearances                    |  |
| Rear                          | 2"                                       |
| Side                          | 3"                                       |
| Corner                        | 2"                                       |
| 10" deep mantel               | 29.25" (above)                           |

JØTUL GF 400 DV SEBAGO - Page 12



|   |  |
|---|--|
| Heating Capacity <sup>1</sup>             | 700 - 2000 sq.ft.                        |
| Min/Max Heat Input (BTU/hr)               | 18,000-32,000 (NG)<br>16,000-32,000 (LP) |
| Efficiency Steady State                   | 75.60%                                   |
| EnerGuide Rating (DV Canada)              | 61.53% (NG) 61.53% (LP)                  |
| EnerGuide Rating <sup>5</sup> (MV Canada) | 63.18% (NG) 63.18% (LP)                  |
| Venting                                   | 4" x 6 5/8"                              |
| Dimensions                                |  |
| Height                                    | 28 1/2"                                  |
| Height w/ opt. short legs                 | 26 1/4"                                  |
| Width                                     | 26 1/2"                                  |
| Depth <sup>2</sup>                        | 20 1/2"                                  |
| Clearances                                |  |
| Rear                                      | 2"                                       |
| Side                                      | 3"                                       |
| Corner                                    | 2"                                       |
| 10" deep mantel                           | 28 1/4" (above)                          |

JØTUL GF 400 BV SEBAGO - Page 12

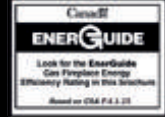


|   |  |
|---|--|
| Heating Capacity <sup>1</sup>             | 800 - 2200 sq.ft.                        |
| Min/Max Heat Input (BTU/hr)               | 22,000-40,000 (NG)<br>20,000-40,000 (LP) |
| Efficiency Steady State                   | 82.56%                                   |
| EnerGuide Rating (Canada)                 | 63.51% (NG) 63.51% (LP)                  |
| EnerGuide Rating <sup>5</sup> (MV Canada) | 64.74% (NG) 64.74% (LP)                  |
| Venting                                   | 4"                                       |
| Dimensions                                |  |
| Height                                    | 28.5"                                    |
| Height w/ opt. short legs                 | 26 1/4"                                  |
| Width                                     | 26 1/2"                                  |
| Depth <sup>2</sup>                        | 24"                                      |
| Clearances                                |  |
| Rear                                      | 3"                                       |
| Side                                      | 3"                                       |
| Corner                                    | 3"                                       |
| 10" deep mantel                           | 25 1/4"                                  |



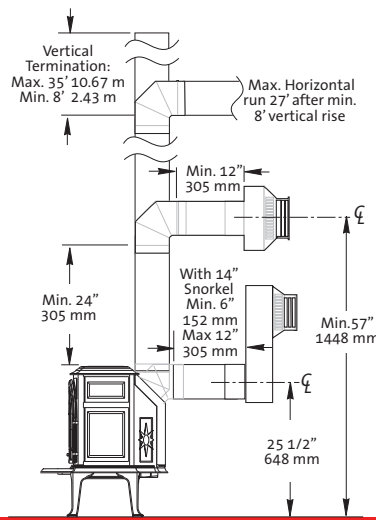
## General note for all stoves and fireplaces

1. Heating Capacity will vary depending on the design of the home, climate, elevation, operation and venting configuration. See Zone chart on page 36.
2. Depth dimension includes ashlip and flue collar.
3. Dimensions can vary depending on installation variables. See manuals for exact specifications.
4. All Jøtul gas stoves and fireplaces include approved fire safety screen
5. Conforms to Amendment 15 of Canada's Energy Efficiency Regulations



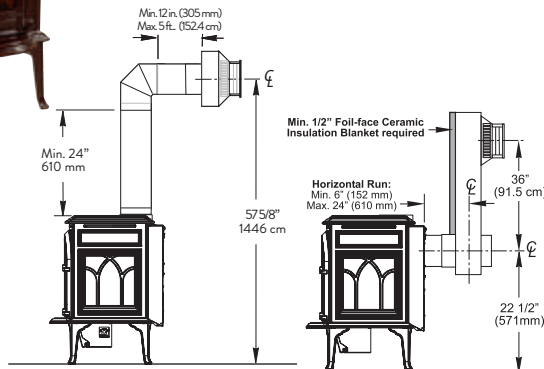
## TECHNICAL DIMENSIONS

JØTUL GF 400 DV IPI SEBAGO - Page 13



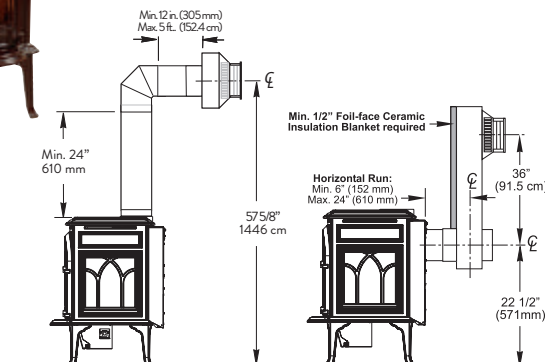
|                               |  |
|-------------------------------|--|
| Heating Capacity <sup>1</sup> | 700 - 2000 sq.ft.                        |
| Min/Max Heat Input (BTU/hr)   | 17,000-32,000 (NG)<br>14,000-30,000 (LP) |
| Efficiency Steady State       | 77.02%                                   |
| EnerGuide Rating (DV Canada)  | 68.19% (NG) 67.69% (LP)                  |
| Venting                       | 4" x 6 5/8"                              |
| Dimensions                    |  |
| Height                        | 28 1/2"                                  |
| Height w/ opt. short legs     | 26 1/4"                                  |
| Width                         | 26 1/2"                                  |
| Depth <sup>2</sup>            | 20 1/2"                                  |
| Clearances                    |  |
| Rear                          | 2"                                       |
| Side                          | 3"                                       |
| Corner                        | 2"                                       |
| 10" deep mantel               | 18 1/4" - 28 1/4"                        |

JØTUL GF 500 DV PORTLAND - Page 14



|   |  |
|---|--|
| Heating Capacity <sup>1</sup>             | 800 - 2200 sq.ft.                        |
| Min/Max Heat Input (BTU/hr)               | 12,800-40,000 (NG)<br>14,000-39,500 (LP) |
| Efficiency Steady State                   | 74.26%                                   |
| EnerGuide Rating (DV Canada)              | 74.25% (NG) 75.01% (LP)                  |
| EnerGuide Rating <sup>5</sup> (MV Canada) | 76.01% (NG) 76.52% (LP)                  |
| Venting                                   | 4" x 6 5/8"                              |
| Dimensions                                |  |
| Height                                    | 30"                                      |
| Height w/ opt. short legs                 | 27 3/4"                                  |
| Width                                     | 28 1/2"                                  |
| Depth <sup>2</sup>                        | 23"                                      |
| Clearances                                |  |
| Rear                                      | 1.5"                                     |
| Side                                      | 2"                                       |
| Corner                                    | 2"                                       |
| 11.5" deep mantel                         | 10 3/4"                                  |

JØTUL GF 500 DV IPI PORTLAND - Page 15



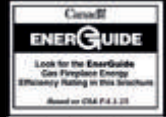
|                               |  |
|-------------------------------|--|
| Heating Capacity <sup>1</sup> | 800 - 2200 sq.ft.                        |
| Min/Max Heat Input (BTU/hr)   | 12,800-40,000 (NG)<br>14,000-39,500 (LP) |
| Efficiency Steady State       | 74.76%                                   |
| EnerGuide Rating (DV Canada)  | 75.41% (NG) 76.01% (LP)                  |
| Venting                       | 4" x 6 5/8"                              |
| Dimensions                    |  |
| Height                        | 30"                                      |
| Height w/ opt. short legs     | 27 3/4"                                  |
| Width                         | 28 1/2"                                  |
| Depth <sup>2</sup>            | 23"                                      |
| Clearances                    |  |
| Rear                          | 1.5"                                     |
| Side                          | 2"                                       |
| Corner                        | 2"                                       |
| 11.5" deep mantel             | 10 3/4"                                  |





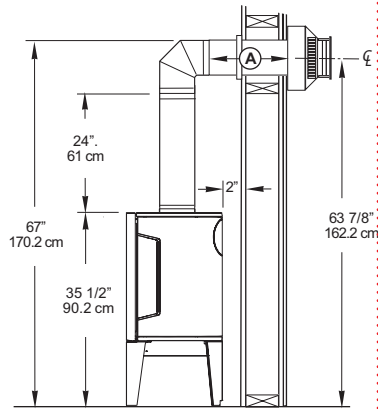
## General note for all stoves and fireplaces

1. Heating Capacity will vary depending on the design of the home, climate, elevation, operation and venting configuration. See Zone chart on page 36.
2. Depth dimension includes ashlip and flue collar.
3. Dimensions can vary depending on installation variables. See manuals for exact specifications.
4. All Jøtul gas stoves and fireplaces include approved fire safety screen.
5. Conforms to Amendment 15 of Canada's Energy Efficiency Regulations



## TECHNICAL DIMENSIONS

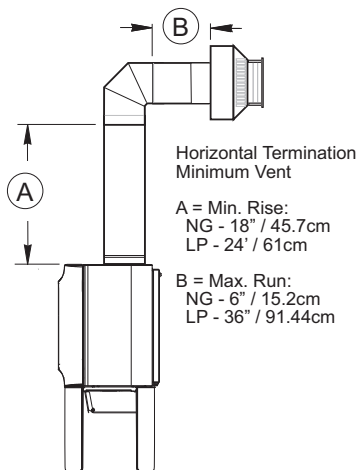
JØTUL GF 160 DV IPI - Page 16



At minimum 2' vertical rise:  
A = Minimum 12" / 30.5cm  
Maximum 60" / 152.4 cm

|                               |  |
|-------------------------------|--|
| Heating Capacity <sup>1</sup> | 200 - 1000 sq.ft.                        |
| Min/Max Heat Input (BTU/hr)   | 15,800-24,000 (NG)<br>19,800-24,000 (LP) |
| Efficiency Steady State       | 74.49%                                   |
| EnerGuide Rating (DV Canada)  | 67.91% (NG) 68.53% (LP)                  |
| Venting                       | 4" x 6 5/8"                              |
| Dimensions                    |  |
| Height                        | 35 1/2"                                  |
| Width                         | 17 3/4"                                  |
| Depth <sup>2</sup>            | 17 3/4"                                  |
| Clearances                    |  |
| Rear                          | 2"                                       |
| Side                          | 7 3/8"                                   |
| Corner                        | 3 3/8"                                   |
| Ceiling From Stove Top        | 33 1/2" (For vertical termination only)  |

JØTUL GF 305 DV IPI - Page 18

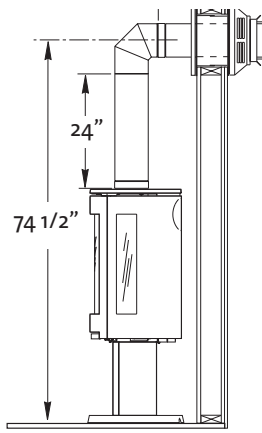


Horizontal Termination Minimum Vent  
A = Min. Rise:  
NG - 18" / 45.7cm  
LP - 24" / 61cm

B = Max. Run:  
NG - 6" / 15.2cm  
LP - 36" / 91.44cm

|                               |  |
|-------------------------------|--|
| Heating Capacity <sup>1</sup> | 400 - 1300 sq.ft.                        |
| Min/Max Heat Input (BTU/hr)   | 18,707-28,000 (NG)<br>22,370-28,000 (LP) |
| Efficiency Steady State       | 73.16%                                   |
| EnerGuide Rating (DV Canada)  | 67.98% (NG) 68.14% (LP)                  |
| Venting                       | 4" x 6 5/8"                              |
| Dimensions                    |  |
| Height                        | 33 3/8"                                  |
| Width                         | 22"                                      |
| Depth <sup>2</sup>            | 16 1/4"                                  |
| Clearances                    |  |
| Rear                          | 2"                                       |
| Side                          | 2"(R side) 6"(L side)                    |
| Corner                        | 3"                                       |
| Ceiling From Stove Top        | 24 1/2" (For vertical termination only)  |

JØTUL GF 370 DV II IPI - Page 20



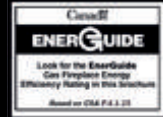
Minimum Vent into Horizontal Termination

|                               |  |
|-------------------------------|--|
| Heating Capacity <sup>1</sup> | 400 - 1300 sq.ft.                        |
| Min/Max Heat Input (BTU/hr)   | 18,170-28,000 (NG)<br>20,750-24,000 (LP) |
| Efficiency Steady State       | 79.30%                                   |
| EnerGuide Rating (DV Canada)  | 71.14% (NG) 64.13% (LP)                  |
| Venting                       | 4" x 6 5/8"                              |
| Dimensions                    |  |
| Height                        | 45 1/2"                                  |
| Width                         | 18 1/4"                                  |
| Depth <sup>2</sup>            | 18 3/4"                                  |
| Clearances                    |  |
| Rear                          | 3"                                       |
| Side                          | 7"                                       |
| Corner                        | 5"                                       |
| Ceiling From Stove Top        | 16 3/4" (For vertical termination only)  |



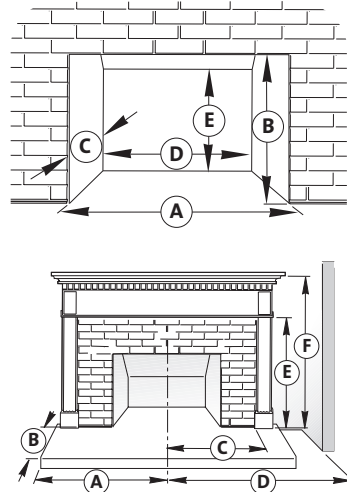
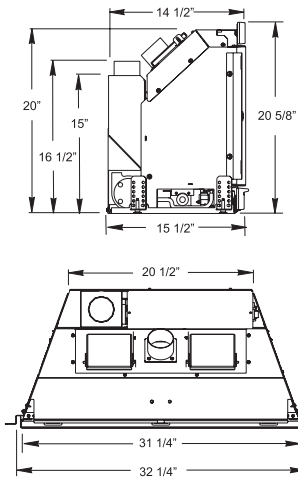
## General note for all stoves and fireplaces

1. Heating Capacity will vary depending on the design of the home, climate, elevation, operation and venting configuration. See Zone chart on page 36.
2. Depth dimension includes ashlip and flue collar.
3. Dimensions can vary depending on installation variables. See manuals for exact specifications.
4. All Jøtul gas stoves and fireplaces include approved fire safety screen.
5. Conforms to Amendment 15 of Canada's Energy Efficiency Regulations



## TECHNICAL DIMENSIONS

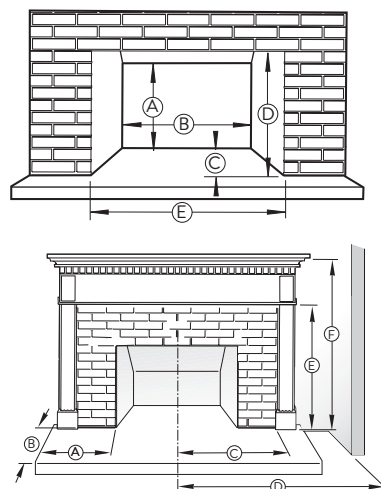
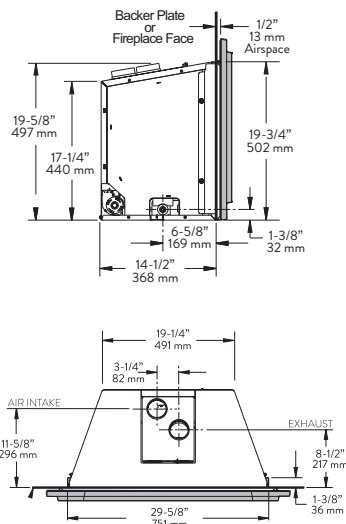
### JØTUL GI 450 DV II IPI KATAHDIN - Page 22



|   |                          |         |
|---|--------------------------|---------|
| A | Minimum Opening Width    | 32 1/2" |
| B | Minimum Opening Height   | 20"     |
| C | Minimum Fireplace Depth  | 15"     |
| D | Minimum Back Wall Width  | 21 1/2" |
| E | Minimum Back Wall Height | 17"     |

- A: Hearth Protection Width**
- Unit flush or raised: 8" from fireplace opening
- B: Hearth Protection Depth**
- Unit flush with hearth 16"
  - Unit raised min. 6" off floor: 12"
- C: Side Trim Clearance**
- Up to 6" thick, from fireplace center line: 20 1/2"
- D: Side Room Wall Clearance**
- From the fireplace center line: 24 1/2"
- E: Top Trim Clearance**
- From hearth: 41"
- F: Mantel Clearance**
- 42.5" at 3.5" depth and 48.5" @ 11.5"
- EnerGuide Rating (DV Canada) 70.05% (NG) 70.05%(LP)

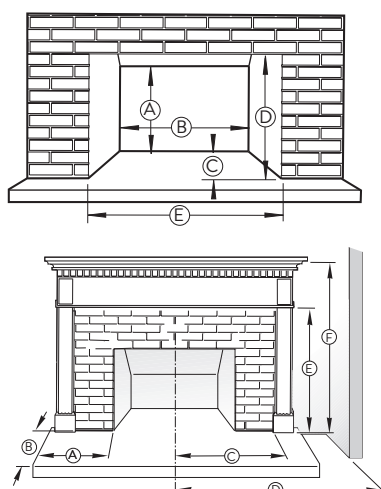
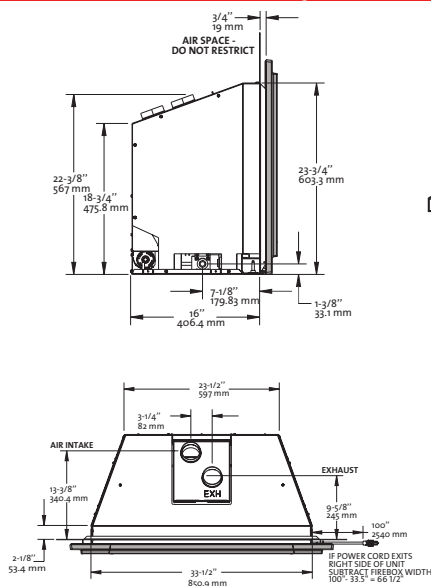
### JØTUL GI 545 DV WINTER HARBOR - Page 24



|   |                          |     |
|---|--------------------------|-----|
| A | Minimum Back Wall Height | 20" |
| B | Minimum Back Wall Width  | 20" |
| C | Minimum Fireplace Depth  | 15" |
| D | Minimum Opening Height   | 20" |
| E | Minimum Opening Width    | 30" |

- A: Hearth Protection Width from fireplace opening**
- Unit flush: Min 3 1/8"
  - Unit raised minimum 6" off floor: 0"
- B: Hearth Protection Depth**
- Unit flush with hearth 12"
  - Unit raised min. 6" off floor: 0"
- C: Side Trim Clearance**
- Up to 6" depth, from fireplace center line: 20 3/4"
- D: Side Room Wall Clearance**
- From the fireplace center line: 27"
- E: Top Trim Clearance**
- From hearth: 37 1/4"
- F: Mantel**
- 37 1/4" at 4" / 39 3/4" at 12" depth
- With Mantel Heatshield: 32 1/4" at 4" / 36" at 12" depth**  
(Mantel Heatshield Part Number 158201)
- EnerGuide Rating (DV Canada) 61.37% (NG) 64.26% (LP)  
EnerGuide Rating (MV Canada) 63.28% (NG) 65.39% (LP)

### JØTUL GI 645 DV ASTRID - Page 24



|   |                          |         |
|---|--------------------------|---------|
| A | Minimum Back Wall Height | 19"     |
| B | Minimum Back Wall Width  | 23 3/4" |
| C | Minimum Fireplace Depth  | 16 1/2" |
| D | Minimum Opening Height   | 24"     |
| E | Minimum Opening Width    | 33 3/4" |

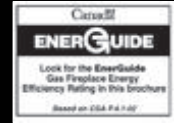
- A: Hearth Protection Width from fireplace opening**
- Unit flush: Min 4 5/8"
  - Unit raised minimum 6" off floor: 0"
- B: Hearth Protection Depth**
- Unit flush with hearth 12"
  - Unit raised min. 6" off floor: 0"
- C: Side Trim Clearance**
- Up to 6" depth, from fireplace center line: 21 1/8"
- D: Side Room Wall Clearance**
- From the fireplace center line: 26 5/8"
- E: Top Trim Clearance**
- From hearth: 46" / 38 1/2" with Mantel Heatshield
- F: Mantel: 46" at 4" / 48 1/8" at 12" depth**  
**With Mantel Heatshield: 38 1/2" at 4" / 42 1/2" at 12" depth**  
(Mantel Heatshield Part Number 158201)



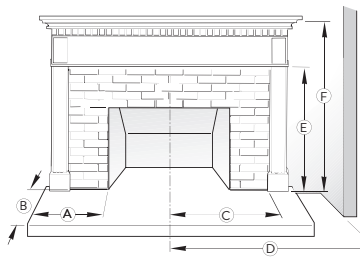
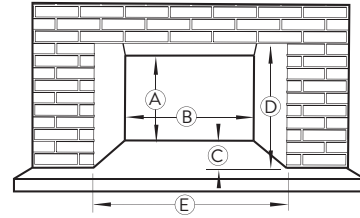
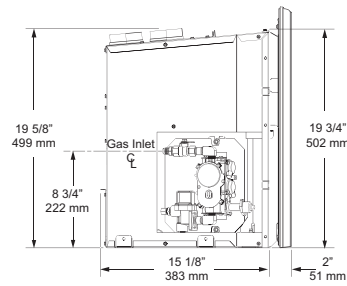
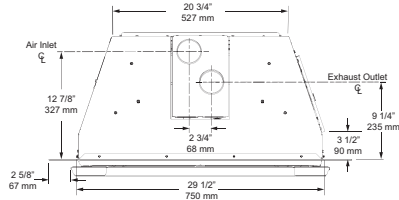


## General note for all stoves and fireplaces

1. Heating Capacity will vary depending on the design of the home, climate, elevation, operation and venting configuration. See Zone chart on page 36.
2. Depth dimension includes ashlip and flue collar.
3. Dimensions can vary depending on installation variables. See manuals for exact specifications.
4. All Jøtul gas stoves and fireplaces include approved fire safety screen.
5. Conforms to Amendment 15 of Canada's Energy Efficiency Regulations



### JØTUL GI 535 DV IPI NEW HARBOR - Page 32

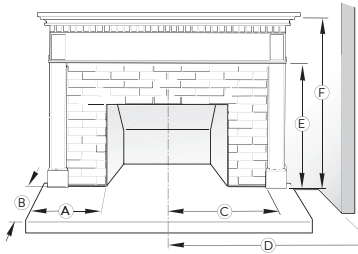
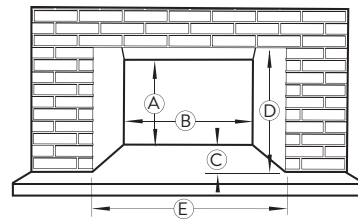
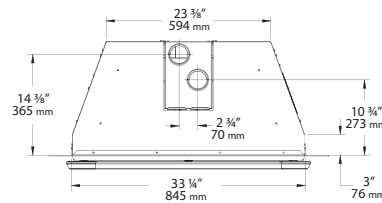
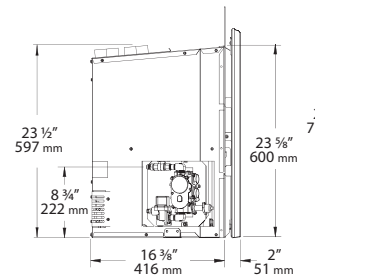


|   |                          |         |
|---|--------------------------|---------|
| A | Minimum Back Wall Height | 20"     |
| B | Minimum Back Wall Width  | 21"     |
| C | Minimum Fireplace Depth  | 15 3/8" |
| D | Minimum Opening Height   | 20"     |
| E | Minimum Opening Width    | 30"     |

- A: Hearth Protection Width**
- Unit flush or raised: 3 1/8" from fireplace opening
- B: Hearth Protection Depth**
- Unit flush with hearth 12"
  - Unit raised min. 6" off floor: 0"
- C: Side Trim Clearance**
- Up to 6" thick, from fireplace center line: 17 7/8"
- D: Side Room Wall Clearance**
- From the fireplace center line: 20 3/8"
- E: Top Trim Clearance From Hearth**
- 36 1/2"
- F: Mantel Clearance From Hearth**
- 36 1/2" at 4" / 39 1/4" at 12" depth

EnerGuide Rating (DV Canada) 62.39% (NG) 63.15% (LP)

### JØTUL GI 635 DV IPI NEWCASTLE - Page 32



|   |                          |         |
|---|--------------------------|---------|
| A | Minimum Back Wall Height | 24"     |
| B | Minimum Back Wall Width  | 23 1/2" |
| C | Minimum Fireplace Depth  | 16 1/2" |
| D | Minimum Opening Height   | 24"     |
| E | Minimum Opening Width    | 33 3/4" |

- A: Hearth Protection Width**
- Unit flush or raised: 4 1/8" from fireplace opening
- B: Hearth Protection Depth**
- Unit flush with hearth 12"
  - Unit raised min. 6" off floor: 0"
- C: Side Trim Clearance**
- Up to 6" thick, from fireplace center line: 21"
- D: Side Room Wall Clearance**
- From the fireplace center line: 24"
- E: Top Trim Clearance**
- From hearth: 37"
- F: Mantel**
- 37" at 4" / 41" at 12" depth

EnerGuide Rating (DV Canada) 62.29% (NG) 63.67% (LP)



“Jøtul – a life-long source of warmth and comfort.”

Dealer info:

September 2021



[jotul.com](http://jotul.com)