



PIONEER SERIES  
EPA-CERTIFIED WOOD FIREPLACES

**QUADRA-FIRE**<sup>®</sup>  
NOTHING BURNS LIKE A QUAD



**QUADRA-FIRE®**

# PERFORMANCE FROM THE BEGINNING



In 1990, the U.S. Environmental Protection Agency (EPA) enacted stringent wood-burning regulations, crippling the more than 500 wood stove manufacturers around the country. But not Quadra-Fire®.

Two years of research and development later, founders Alan Trusler and Dan Henry unveiled their patented “Quad Burn” system. The technology produced powerful and efficient rolling flames so intense, it dawned the inception of the Quadra-Fire name.

In 2015 and 2020, the U.S. Environmental Protection Agency updated their regulations requiring even tougher standards on emissions. Using our existing technology, Quadra-Fire was able to exceed these new standards ensuring renewable heat sources for generations to come.

## **WHY QUADRA-FIRE**

At Quadra-Fire we believe that nothing burns like a Quad, and heating with wood should be easy and cost effective. Today these ideals are vibrant and alive, blending our past with our present. Quadra-Fire products are proudly built to last by our members.

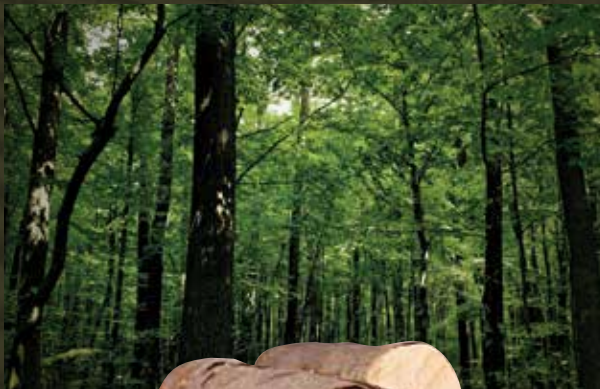
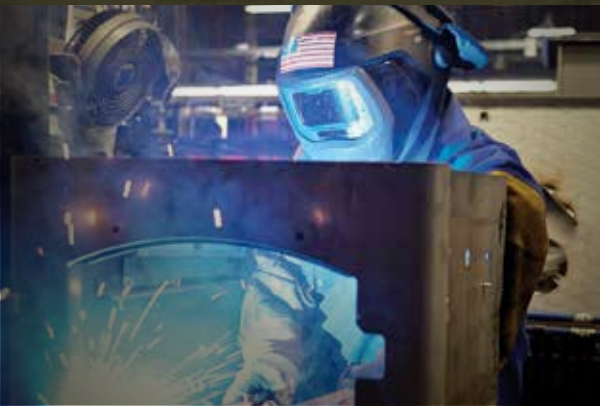
## **WHY WOOD**

**IT'S RENEWABLE** - Using renewable energy sources is more important than ever, and wood is 100 percent renewable. When you burn wood, you are also completing the last step of the natural carbon cycle of trees, resulting in a zero net carbon impact on the environment.

**IT'S COST-EFFECTIVE** - Heating with wood costs less than heating with electricity, liquid propane or heating oil, especially if you harvest wood yourself.

As the fire ignites, it remains clear:

**NOTHING BURNS LIKE A QUAD.**



COVER: PIONEER III SHOWN WITH ARCH DOOR AND FORGED ARCH FRONT



**QUADRA-FIRE**  
PERFORMANCE NEVER LOOKED SO GOOD

With Quadra-Fire, performance comes standard. Building on its strong legacy, Quadra-Fire creates products with:

**PERFORMANCE**

Get maximum heat and a clean burn, with the Quadra-Fire Four-Point Burn System delivering performance that you can see.

**EASY OPERATION**

Eliminate the hassle and save time. Simply load the wood, light the fire and walk away.



**EXCLUSIVE TECHNOLOGIES** Innovative technology is at work in every Quadra-Fire. These advancements make it possible to burn wood more effectively, efficiently, and with more control.

**4X**

**FOUR-POINT BURN SYSTEM**

The patented Four-Point Burn System produces intense rolling flames. Four combustion cycles extend the heat, enhance the fire and increase efficiency for long-lasting, proven performance.

**SBT**

**SMART BURN TECHNOLOGY**

Smart Burn Technology maintains the temperature of your room with a 7-day programmable thermostat, while automatically adjusting the amount of air coming into your fireplace.

**ACC**

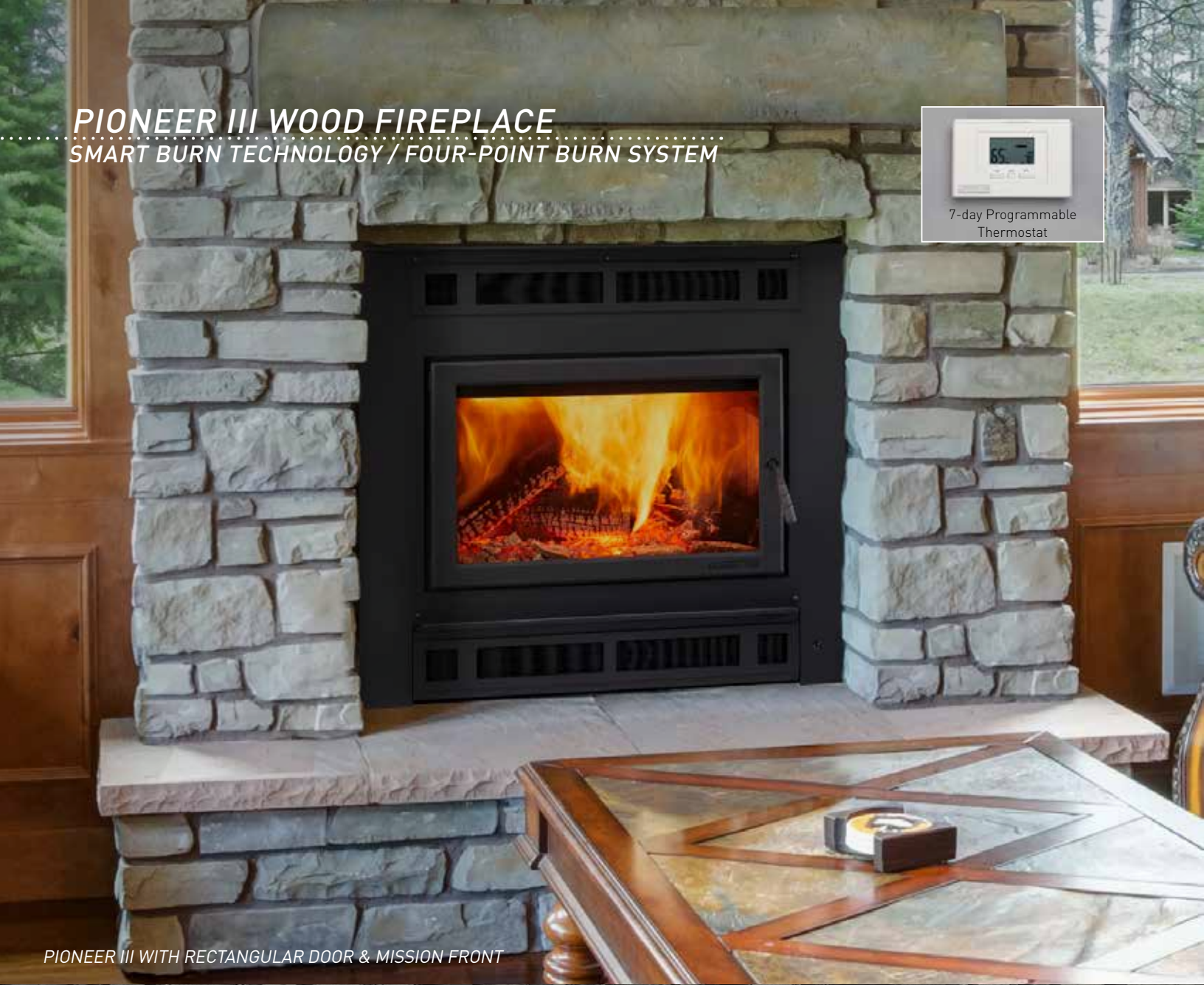
**AUTOMATIC COMBUSTION CONTROL**

Automatic combustion control is an advanced heat management technology. ACC feeds the fire with air when its needed most – for prescient start-ups and consistent, extended burns.



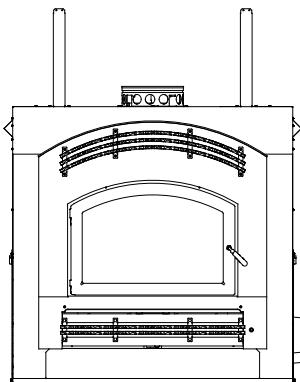
# PIONEER III WOOD FIREPLACE

SMART BURN TECHNOLOGY / FOUR-POINT BURN SYSTEM

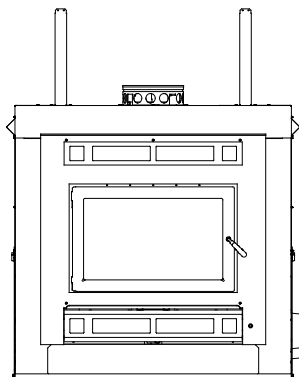


PIONEER III WITH RECTANGULAR DOOR & MISSION FRONT

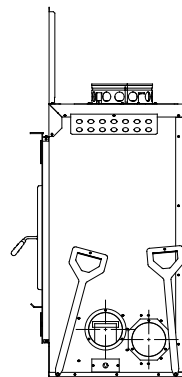
|   |  |  |   |                            |                             |   |                              |                        |
|---|--|--|---|----------------------------|-----------------------------|---|------------------------------|------------------------|
| Peak<br>BTU/hr Output <sup>1</sup><br><b>90,900</b> | Heating Capacity <sup>2</sup><br><b>1,200-<br/>3,000</b> sq ft | Max. Burn Time <sup>3</sup><br><b>18 hrs</b> | Efficiency <sup>4</sup><br><b>74% LHV<br/>69% HHV</b> | Emissions<br><b>2 g/hr</b> | Firebox<br><b>4.1 cu ft</b> | Recommended<br>Log Length<br><b>24"</b> | Fan System<br><b>400 cfm</b> | Weight<br><b>680lb</b> |
|---|--|--|---|----------------------------|-----------------------------|---|------------------------------|------------------------|



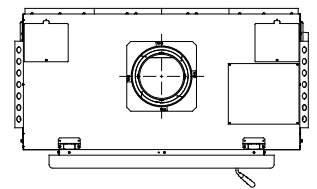
ARCH DOOR FRONT VIEW



RECTANGULAR DOOR FRONT VIEW



SIDE VIEW



TOP VIEW



**PIONEER II WOOD FIREPLACE**  
 AUTOMATIC COMBUSTION CONTROL / FOUR-POINT BURN SYSTEM



PIONEER II SHOWN WITH STANDARD CLASSIC BLACK ARCHED DOOR AND FACE

Peak  
BTU/hr Output<sup>1</sup>  
**68,200**

Heating Capacity<sup>2</sup>  
**1,000-2,600**  
sq ft

Max. Burn Time<sup>3</sup>  
**10 hrs**

Efficiency<sup>4</sup>  
**76% LHV**  
**70% HHV**

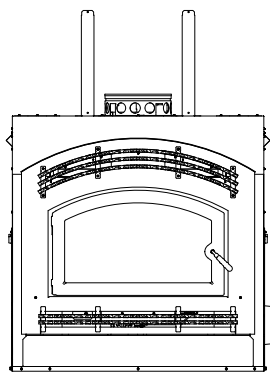
Emissions  
**1.8 g/hr**

Firebox  
**2.7 cu ft**

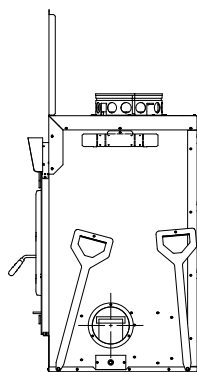
Recommended  
Log Length  
**22"**

Fan System  
**280 cfm**

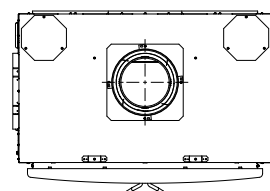
Weight  
**665lb**



FRONT VIEW



SIDE VIEW



TOP VIEW

# PIONEER III - REQUIRED TO COMPLETE

## FRONTS



Forged arch front for use on Pioneer III-ABK (arch black door)

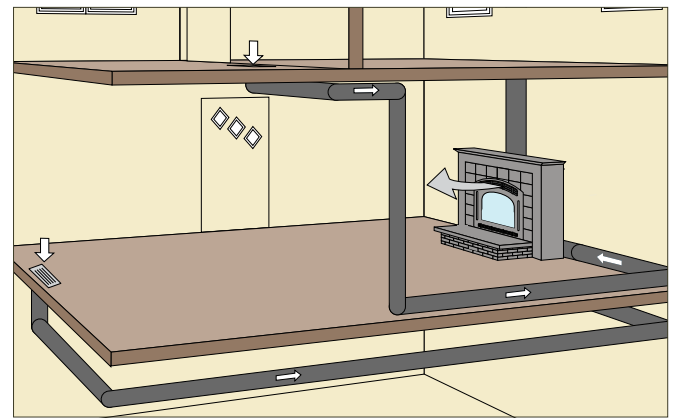


Mission arch front for use on Pioneer III -ABK (arch black door)



Mission rectangular front for use on Pioneer III-RBK (rectangular black door)

## FAN AIR KIT



The fan air kit is required for the fireplace fans to get air from the house to circulate around the fireplace box. This air is heated by the fire and pushed into the room by the fans.

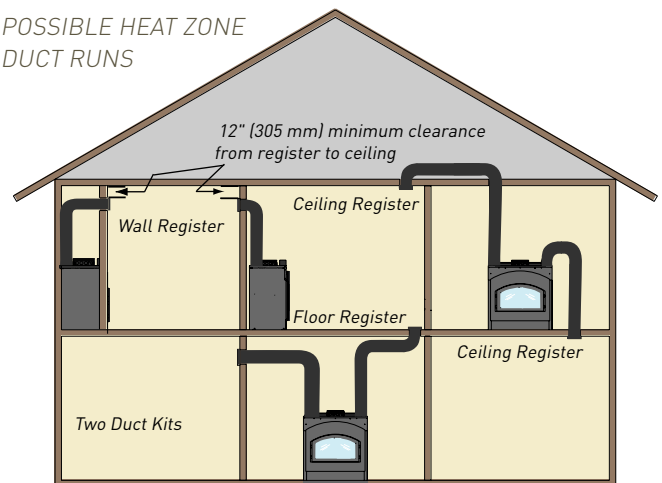
## PIONEER II - FRONT AND DOOR COME STANDARD



Single arched door with arched front

## PIONEER III & PIONEER II OPTIONAL HEAT ZONE KIT

### POSSIBLE HEAT ZONE DUCT RUNS

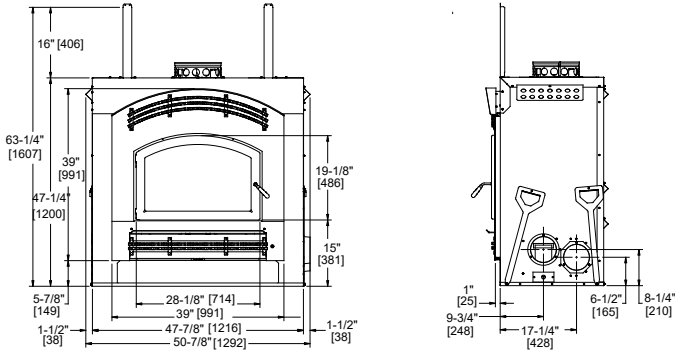


With zone heating, you can easily reduce your energy consumption by up to 40%, and reduce your utility bill in the process. Using a Quadra-Fire fireplace as a supplemental heating source, you can turn down your central furnace or boiler system and still maintain comfortable temperatures in your common living area.



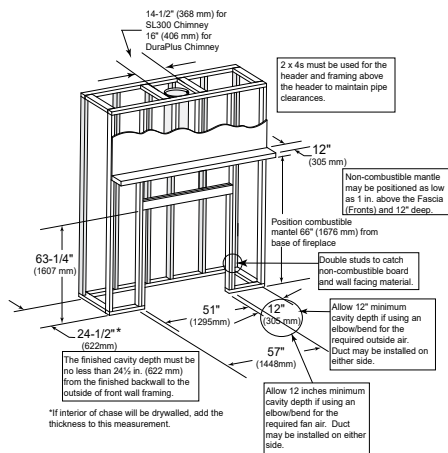
# SPECIFICATIONS

## PIONEER III



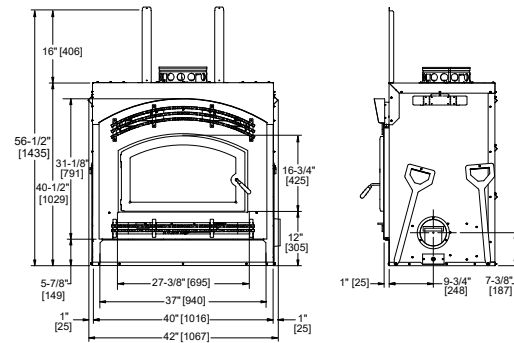
FRONT VIEW

SIDE VIEW



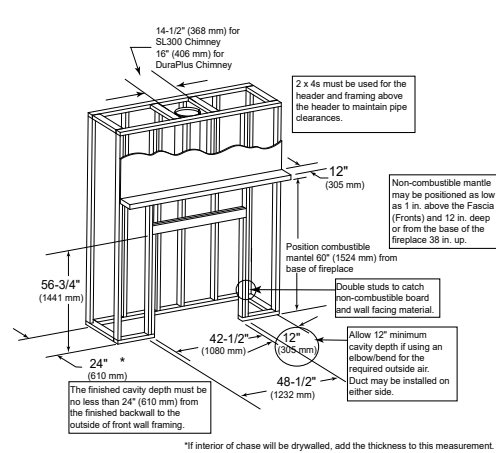
FRAMING DIMENSIONS

## PIONEER II



FRONT VIEW

SIDE VIEW



FRAMING DIMENSIONS

### SPECIFICATIONS

#### PEAK BTU/HR OUTPUT<sup>1</sup>

» 90,900

#### HEATING CAPACITY<sup>2</sup>

» 1,200 - 3,000 sq ft

#### MAXIMUM BURN TIME<sup>3</sup>

» 18 hrs

#### EFFICIENCY<sup>4</sup>

» 74% LHV; 69% HHV

#### EMISSIONS

» 2 g/hr

#### FIREBOX CAPACITY

» 4.1 cu ft

#### RECOMMENDED LOG LENGTH

» 24" max.

#### VIEWING AREA

» 341 sq in

#### ACTUAL WEIGHT

» 680lb

### CLEARANCES

#### ENCLOSED AREA

- » 1" fireplace to back wall
- » 1-1/2" fireplace to sidewall
- » 16" Top of fireplace to header

#### EXPOSED SURFACES

- » 16" faceplate to sidewall
- » 12" heat zone air grilles to ceiling

#### MINIMUM HEARTH

- » 20" deep x 42" wide centered in front of fireplace

#### MANTEL CLEARANCE

- » Position combustible mantel 66" from base of fireplace
- » Position non-combustible mantel 46" from the base of the fireplace
- » Maximum mantel depth is 12"
- » For reduced combustible mantel clearance reference the installation manual

### SPECIFICATIONS

#### PEAK BTU/HR OUTPUT<sup>1</sup>

» 68,200

#### HEATING CAPACITY<sup>2</sup>

» 1000 - 2,600 sq ft

#### MAXIMUM BURN TIME<sup>3</sup>

» 10 hrs

#### EFFICIENCY<sup>4</sup>

» 76% LHV; 70% HHV

#### EMISSIONS

» 1.8 g/hr

#### FIREBOX CAPACITY

» 2.7 cu ft

#### RECOMMENDED LOG LENGTH

» 22" max.

#### VIEWING AREA

» 296 sq in

#### ACTUAL WEIGHT

» 665lb

### CLEARANCES

#### ENCLOSED AREA

- » 1/2" fireplace to back wall
- » 1" fireplace to sidewall
- » 16" top of fireplace to header

#### EXPOSED SURFACES

- » 16" faceplate to sidewall
- » 12" heat zone air grilles to ceiling

#### MINIMUM HEARTH

- » 20" deep x 41" wide centered in front of fireplace

#### MANTEL CLEARANCE

- » Position combustible mantel 60" from base of fireplace
- » Position non-combustible mantel 38" from the base of the fireplace
- » Maximum mantel depth is 12"
- » For reduced combustible mantel clearance reference the installation manual



Thank you from everyone at Quadra-Fire.

Available From:

**QUADRA-FIRE**


NOTHING BURNS LIKE A QUAD


www.quadrafire.com | 800-926-4356


**Limited Lifetime Warranty<sup>5</sup>**

The strongest in the industry, Quadra-Fire provides a limited lifetime warranty on the most important aspects: firebox and heat exchanger.

 facebook.com/QuadraFire

 houzz.com/pro/QuadraFirePower

 twitter.com/QuadraFire

 youtube.com/QuadraFirePower

<sup>1</sup> A range of BTU outputs based on HHV and the burn rates from the low and high EPA tests, using cord wood. <sup>2</sup> Heating capacity (in square feet) is a guideline only and may differ due to climate, building construction and condition, amount and quality of insulation, location of the heater, air movement in the room and type of wood used. <sup>3</sup> Actual burn times will vary based on how the appliance is operated, load size, moisture content and type. <sup>4</sup> Weighted average Low Heating Value (LHV) efficiency. HHV (High Heat Value) efficiency used to qualify products for Tax Credit beginning in 2021. <sup>5</sup> For full warranty details go to www.quadrafire.com.

**IMPORTANT - READ BEFORE YOU INSTALL!** - Refer to the owner/installation manual for complete clearance requirements and specifications. The images and descriptions in this brochure are provided to assist you in product selection only. Fireplace, stove and insert surfaces get extremely HOT and can cause burns if touched. Keep a safe distance away. To learn more visit [www.quadrafire.com/fireplacesafety](http://www.quadrafire.com/fireplacesafety). Quadra-Fire is a registered trademark of Hearth & Home Technologies. Product specifications and pricing subject to change without notice.